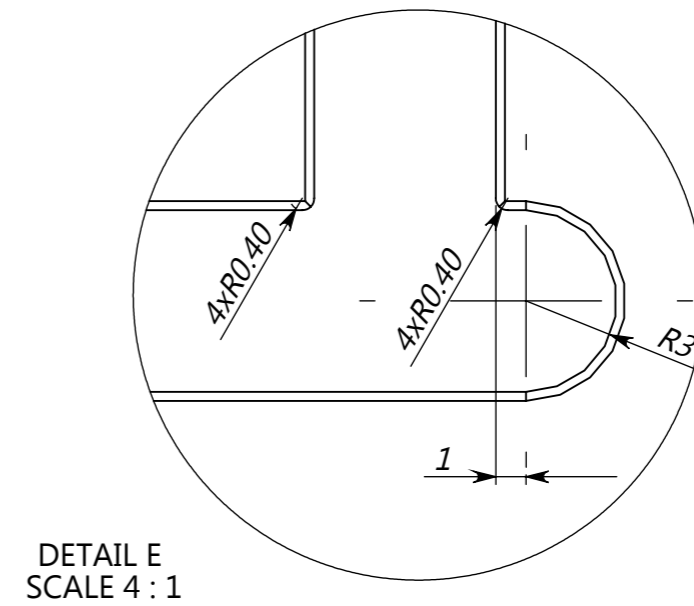
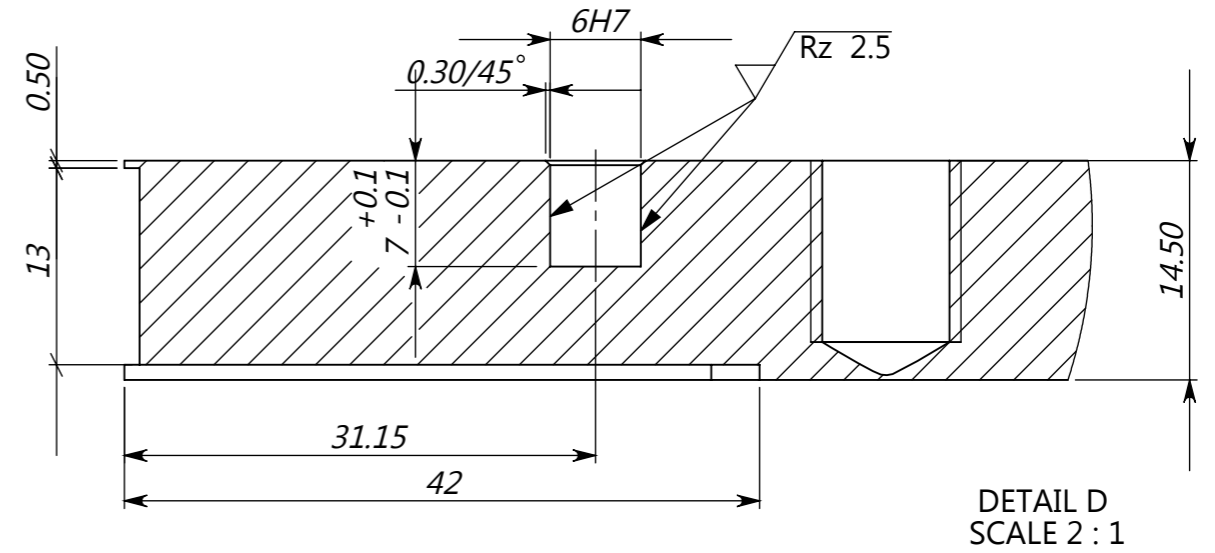
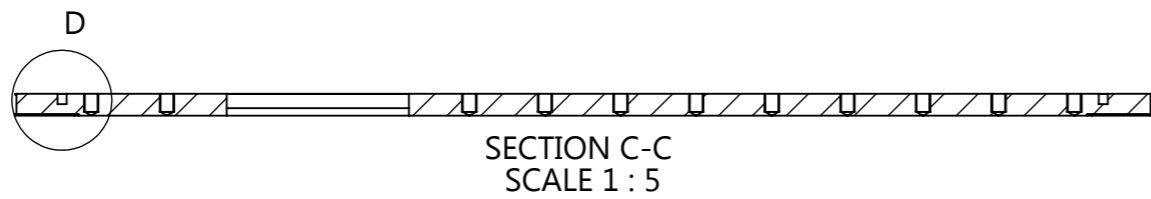
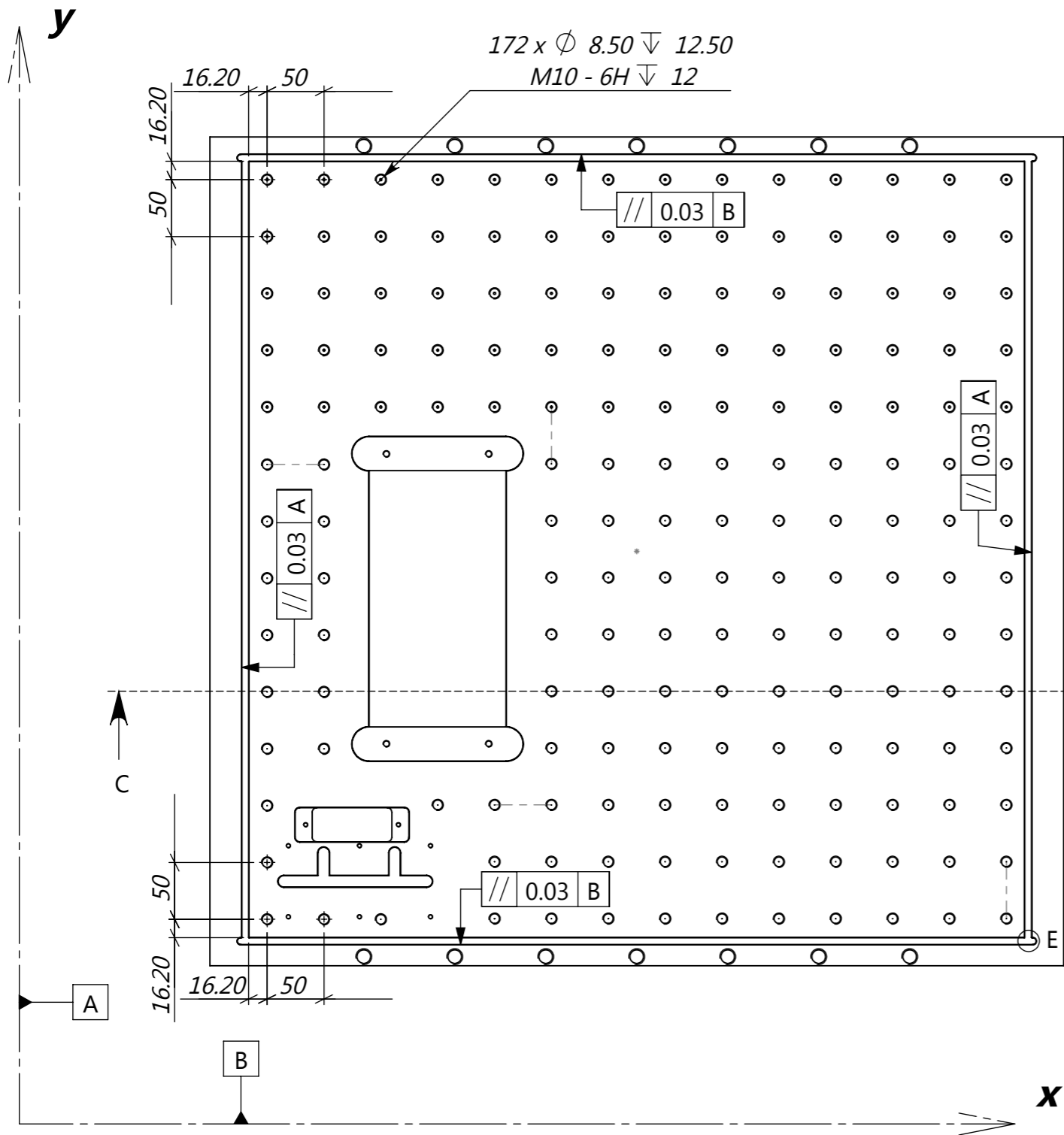


The information contained in this document is the property of IRC Sentronis a.d. Any reproduction in part or as a whole without the written permission of IRC Sentronis a.d. is prohibited.



UNLESS OTHERWISE SPECIFIED: DIMENSIONS ARE IN MILLIMETERS SURFACE FINISH: TOLERANCES: ISO 8015 LINEAR: ISO 2768 - m H ANGULAR: <6 mm: ±0.2 mm				FINISH:		DEBUR AND BREAK SHARP EDGES		DO NOT SCALE DRAWING		REVISION	
								SENTRONIS			
								TITLE:			
								Worktop Elobau 3012015			
DRAWN		Nebojša Ivković		SIGNATURE		DATE		30.1.2015		DWG NO.	
CHK'D		Ivan Savić		SIGNATURE		DATE		30.1.2015		SCALE:1:10	
APPV'D		Sasa Dimitrijevic		SIGNATURE		DATE		30.1.2015		SHEET 1 OF 1	
MFG				SIGNATURE		DATE				A3	
Q.A		Vesna Boskov		SIGNATURE		DATE		30.1.2015		WEIGHT:	
				SIGNATURE		DATE					