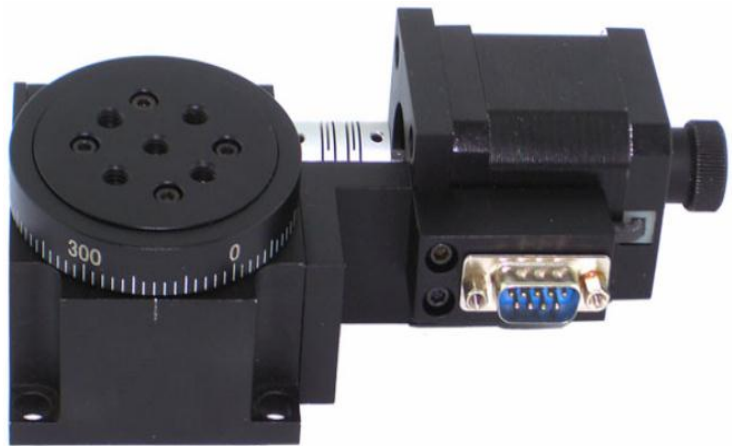


KEY FEATURES:

- Direct-drive concept provides faster rotating speeds and enhanced position sensitivity
- Ultra-low profile design – only 45 mm in height
- High efficiency DC step-motor optimizes available torque
- Proprietary glass scale encoder ensures 0.005° repeatability
- 6 mm diameter through-hole for convenient cable routing



DIMENSIONAL DRAWINGS of the RFTM

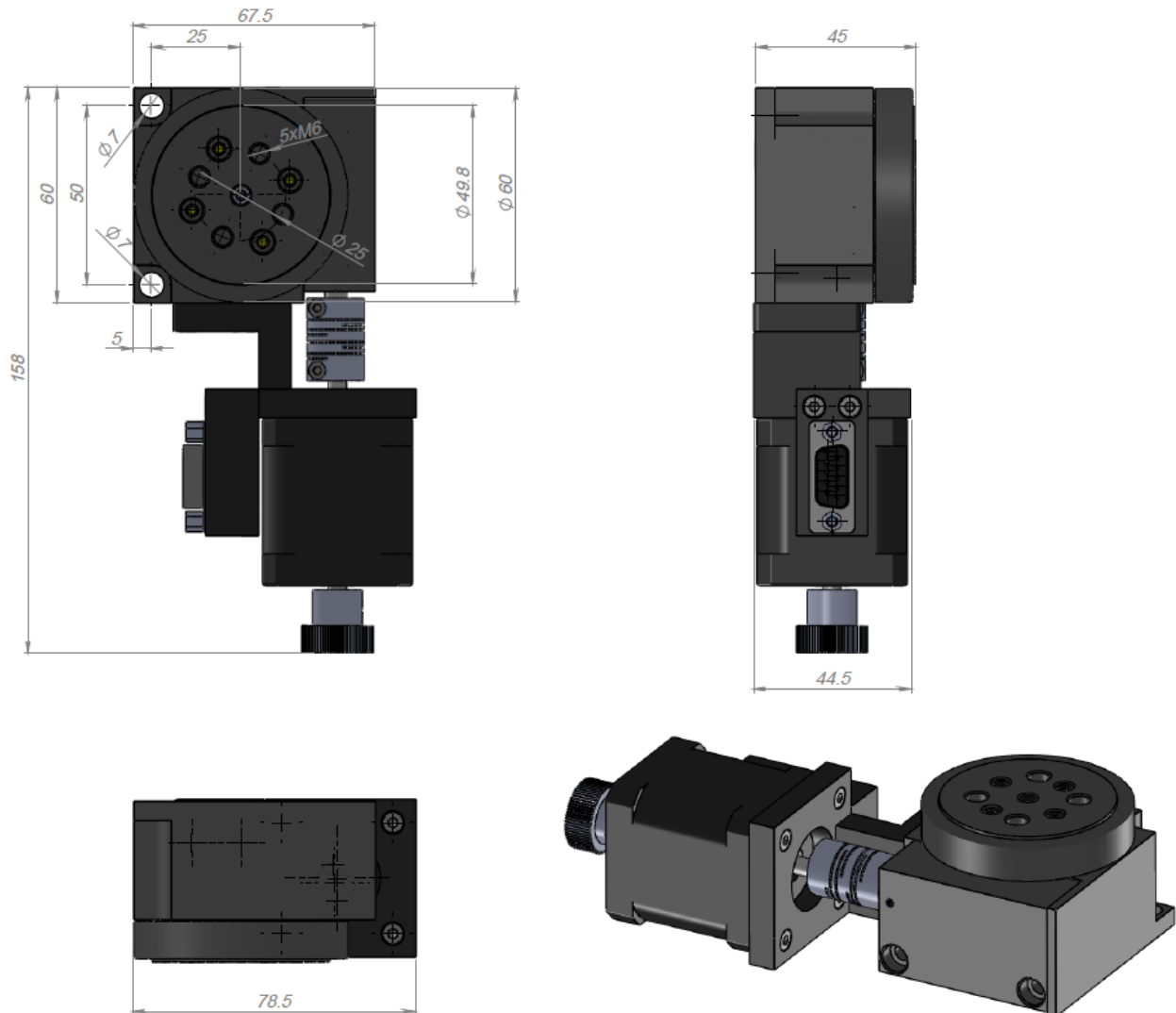


Figure 1: The drawing and dimensions of the SENIS rotating stage RFTM. All expressed measures are in millimeters [mm].

THE STRUCTURE and MECHANICAL ACCURACY SPECIFICATIONS of the RFTM

Structure Description	Angle Range	360°
	Stage Diameter	Φ60 mm
	Transmission Ratio	90 :1
	Actuator Type	Worm Gear
	Travel Guide	Bearing
	Stepper Motor	1.8°
	Base Material	Aluminum Alloy
	Surface Treatment	Black-anodized
	Load Capacity	30 kg
	Weight	1.2 kg
Accuracy Description	Resolution	0.02° (non Micro Step) 0.001°=3.6" (20 Micro Step Driver in use)
	Speed	50°/sec
	Repeatability	0.005° = 18"
	Positional accuracy	0.01° = 36"
	Surface Roundness	15 μm
	Backlash	0.005° = 18"
	Transversal Deviation	5 μm
	Lost Motion	0.005° = 18"
Parallelism	80 μm	