

2SA-10

Integrated 2-Axis Hall Sensor



Features

- Measures two components of a magnetic field at the same spot.
- Excellent matching of sensitivity along the two axes.
- Max. angle error from -40°C .. $+125^{\circ}\text{C}$: $< 1^{\circ}$
- Very high sensitivity
- Low quiescent current
- Fabricated in standard CMOS technology
- Very low hysteresis
- Surface mount SOIC-8 package

Applications

- 2-D position sensing
- Contactless potentiometer
- Angular position sensor for micro motors
- Miniaturized contactless encoder
- Contactless rotary switch
- 2-D magnetic field mapping
- Joystick

General Description

Sentron's new magnetic angular sensor 2SA-10 detects the absolute angular position of a small magnet that is positioned above the device surface. The 2SA-10 is an integrated combination of a CMOS Hall circuit and a thin ferromagnetic disk. The CMOS circuit contains two pairs of Hall-elements for each of the two directions parallel with the chip surface X and Y. The ferromagnetic disk amplifies the external magnetic field and concentrates it on the Hall elements.

The 2SA-10 is ideally suited for rotary position sensing in harsh automotive and industrial environments. It produces two linear, ratio-metric output voltages proportional to the sine and the cosine function of the angle of the applied magnetic field parallel to the chip surface.

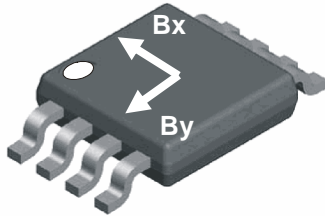
The circuit is fabricated using a standard CMOS process and the ferromagnetic disk is added in a simple post-processing step. The monolithic device incorporates Hall elements, offset cancellation circuitry, current source, chopper stabilized amplification circuitry, parameter programming capability. By dynamic offset cancellation any offset voltage caused by temperature variations, packaging stress or others is strongly reduced. As a result, the device has an extremely stable signal output, is immune to mechanical stress and is virtually immune to temperature cycling.

Therefore, the circuit features a wide application range and very high accuracy.

Please find the latest version of this datasheet and related information such as application notes on our website www.sentron.ch

Package: SOIC-8

Pin-out:



- 1 CO_OUT, common output
- 2 PC, programming clock¹⁾
- 3 VDD, Supply voltage
- 4 Y_OUT, Y-channel analog output
- 5 X_OUT, X-channel analog output
- 6 PD, programming data¹⁾
- 7 PV, programming voltage¹⁾
- 8 GND, Supply common

Note 1: Used for factory programming

Absolute Maximum Ratings

Symbol	Parameter	Min.	Max.	Unit	Remarks
V _{SUP}	Supply Voltage	0	6	V	
T	Ambient Temperature	-40	+125	°C	

Magnetic Input Conditions

Symbol	Parameter	Min.	Max.	Unit	Remarks
B _{MAX} ²⁾	Max. Induction		>1000	mT	Device saturates, but is not damaged
D _{fc}	Diameter of magnetic disk		0.2	mm	See Figure 5 for location of disk
?	angular speed		100'000	rpm	

Note 2: At center of magnetic disc

Recommended Operating Conditions

Symbol	Parameter	Min.	Typ.	Max.	Unit	Remarks
V _{SUP}	Supply Voltage	4.5	5	5.5	V	
I _{OUT}	Output Current	-1		1	mA	
C _L	Load Capacitance			1000	pF	
B ³⁾	Magnetic Field			80	mT	

Note 3: At center of magnetic disc

Electrical Characteristics

At T=-40°C to 150°C, V_{SUP}=4.5V to 5.5V if not otherwise specified.

Symbol	Parameter	Min.	Typ.	Max.	Unit	Test conditions
I _{SUP}	Supply Current		16	18	mA	
CO_OUT	Common (reference) Output Voltage ⁴⁾	V _{SUP} /2 -20mV	V _{SUP} /2	V _{SUP} /2 +20mV		I _{OUT} =0mA
BW	Bandwidth: DC to	10	15	18	kHz	

Note 4: Ratio-metric (proportional to V_{SUP})

Analog Output-Characteristics ^{5,6)}

With V_{SUP}= 5V and in the temperature range -40°C to 150°C, if not otherwise specified.

Symbol	Parameter	Min.	Typ.	Max.	Unit	Test conditions
S	Magnetic Sensitivity ⁶⁾	40	50	60	V/T	
ΔS/ΔT	Magnetic Sensitivity Temperature drift	-0.05		0.05	%/°C	I _{OUT} =0mA T=-40°C to 150°C
Sx/Sy	Magnetic Sensitivity mismatch (X-Y) ⁶⁾		0	2	%	B = B _L ⁷⁾
∠Sx-Sy	Phase matching	-0.3	0	0.3	°	B = B _L ⁷⁾
Voff	Offset Voltage	-10	0	10	mV	B=0T ⁷⁾ , I _{OUT} =0mA T=-20°C to 80°C
ΔVoff/ΔT	Offset Voltage Temperature drift	-0.05		0.05	mV/°C	B=0T ⁷⁾ , I _{OUT} =0mA
B _{FS} ^{7,8)}	Full Scale Magnetic Field Range	-45		45	mT	
B _L ^{7,8)}	Linear Magnetic Field Range	-40		40	mT	
NL	Non Linearity		0.1	0.2	%	For B = B _L ⁷⁾
			0.5	1	%	For B = B _{FS} ⁷⁾
ΔBnoise ⁷⁾	Input referred magnetic noise spectrum density (RMS)			750	nT/√Hz	B _w =1Hz to 10kHz
X_OUT max	Max. full scale output voltage	5% V _{SUP}		95% V _{SUP}	V	B = 50mT
Y_OUT max	Max. full scale output voltage	5% V _{SUP}		95% V _{SUP}	V	B = 50mT
Hys max	Maximum Hysteresis			0.03	% B _{FS}	B = B _{MAX}

Note 5: When the analog output pins X_OUT and Y_OUT are used in differential mode (i.e. V_x=X_OUT-CO_OUT)

Note 6: Ratio-metric (proportional to V_{SUP})

Note 7: At center of magnetic disk

Note 8: The 2SA-10 can also be ordered with Sensitivity of 25V/T for B_L=60mT and B_{FS}=80mT

Sentron AG reserves the right to make changes without further notice to any products herein to improve reliability, function, or design. Sentron does not assume any liability arising from the use of any product or application of any product or circuit described herein.

Block Diagram 2SA-10

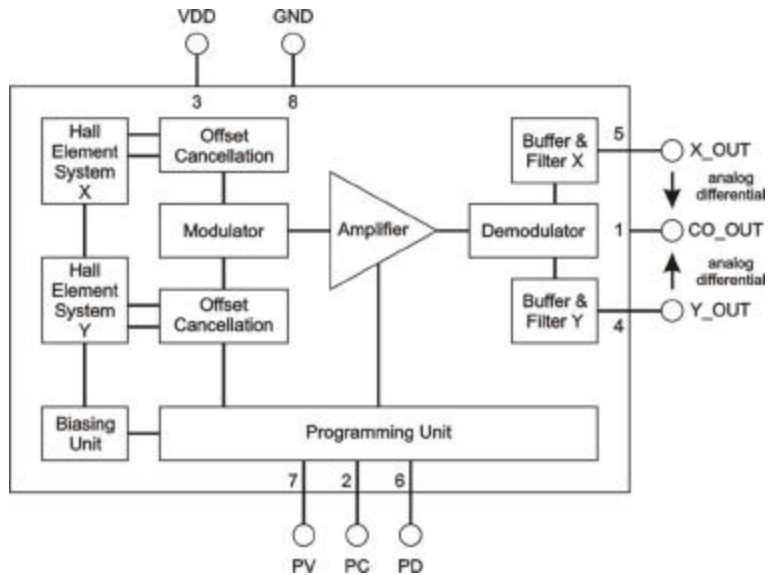


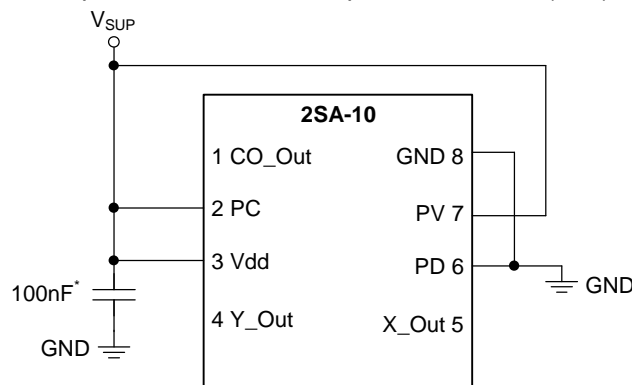
Fig. 1 Block Diagram 2SA-10

Connection Diagram 2SA-10

IMPORTANT

For reliable operation within the specifications the sensor must be connected as follows:

- Connect Pin 6 (PD) to Pin 8 (GND)
- Connect Pin 2 (PC) to Pin 3 (Vdd)
- Connect Pin 7 (PV) to Pin 3 (Vdd)
- Put a 100nF capacitor close to the chip between Pin 3 (Vdd) and Pin 8 (GND)



* If the supply voltage is disturbed by EMI it can be useful to place a second capacitor (100pF, ceramic) parallel to the 100nF capacitor.

Fig. 2 Connection diagram of 2SA-10

Package dimensions SOIC-8

Bx, By : Magnetic sensitive directions

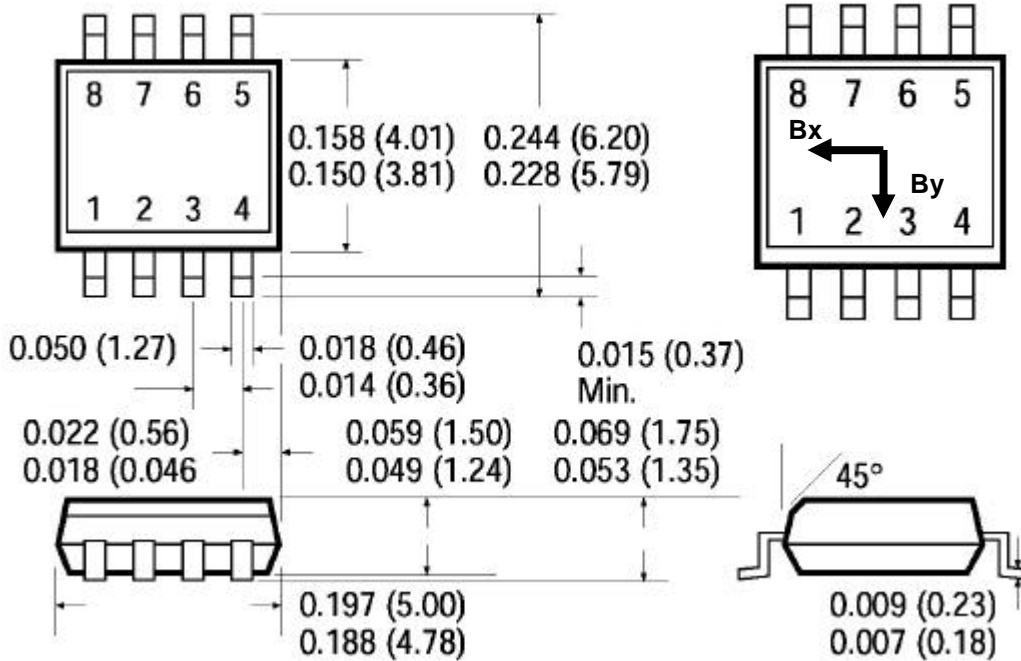


Fig. 3 Package dimensions and magnetic sensitive directions

Package versions

Leaded (standard): 2SA-10

Material: C151, 85/15

Lead free 'green': 2SA-10-G

Material: CDA151, Pb <100ppm

Location of Disk

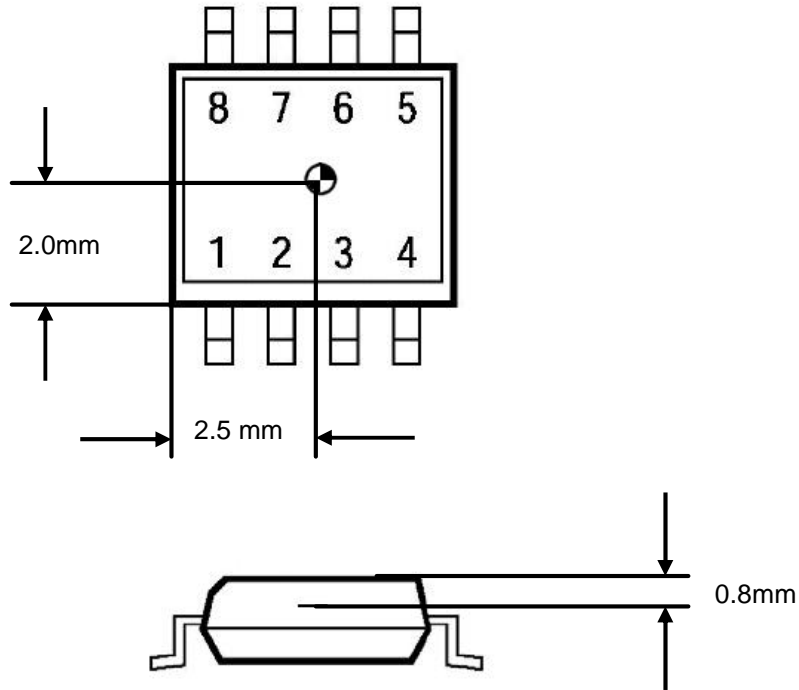


Fig. 4 2SA-10 location of disk

Applications

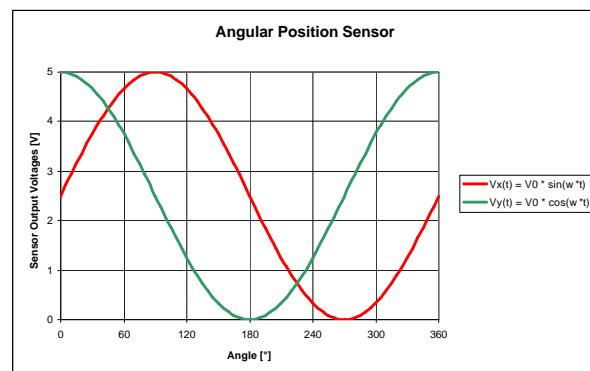
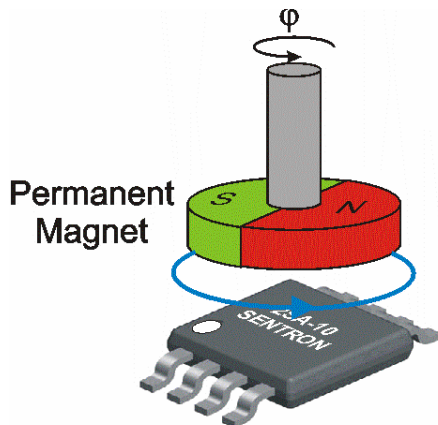
The unique integrated two-axis Hall-sensor offers a rugged, low cost solution for any rotational reference detection. Application examples are found in contactless angular sensors and encoders, in rotational switches, in brushless dc motors and in joysticks

The 2SA-10 is applied in a way very similar to magnetoresistive GMR and AMR angular sensors by sensing the rotation of a magnetic field component parallel with the chip. However, the full integration of magnetic field sensor and programmable signal conditioning circuit of the 2SA-10 offers an exceptional cost effectiveness.

Sentron's 2SA-10 combines the advantage of a miniaturized angular sensor solution and simultaneously higher product performance and reliability. The features of high sensitivity, low offset and low temperature drift meets even the most demanding requirements across many industries.

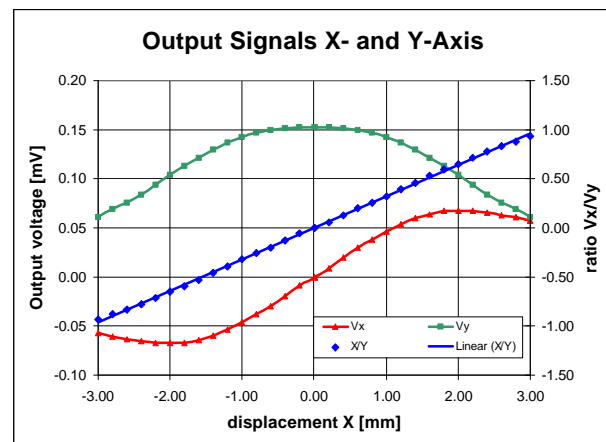
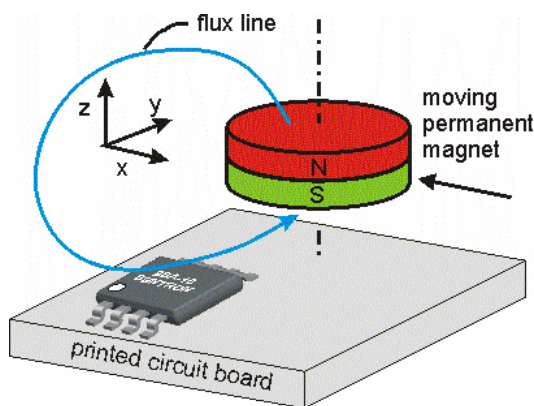
Absolute Angle Sensor

The 2SA-10 is positioned under a rotating magnet mounted at the shaft end of a rotating axis. The magnet is magnetized diametrically, so that by rotating the shaft the field through the sensor also rotates. The generated voltages V_x and V_y of the 2SA-10 represent the sine and cosine of the magnetic field direction. Even though the signal amplitudes depend upon the vertical distance between sensor and magnet, the angle information, which is calculated by the ratio of V_x and V_y is not depending on this value. In this manner the angle sensor is very robust towards sensitivity temperature drift, magnet temperature drift and ageing effects as well as assembly tolerances.

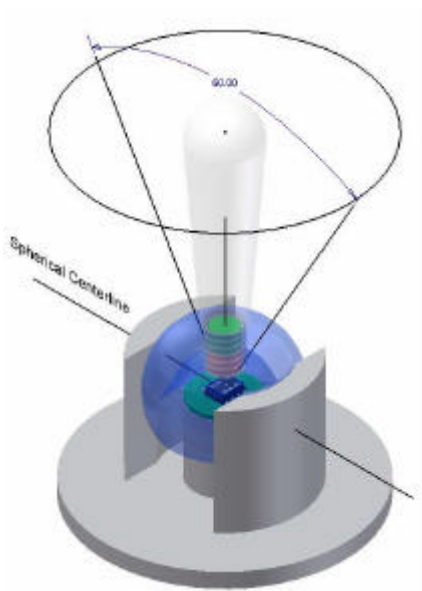


Linear Position Sensor

The 2SA-10 is positioned in the vicinity underneath a small permanent magnet with round shape. The magnetization axis of the magnet is perpendicular to the sensor plane. When the magnet moves parallel to the plane, the magnetic field at the sensor rotates. The output signal V_x of the 2SA-10 behaves like $X \cdot B / r^2$ and the output signal V_y like $Y \cdot B / r^2$ with X and Y being the coordinates of the magnet with respect to the sensor, B being the field strength at the sensor and r being the distance between magnet and sensor. If the magnet now moves parallel to the x-axis, the coordinate Y is constant and the ratio $V_x / V_y = X / \text{const.}$ is a very linear measure of the position of the magnet. Using a second 2SA-10 sensor the principle can be extended to very linear two-dimensional position sensing.



Position Sensor / Joystick



The 2SA-10 is positioned in the rotation center of a joystick control handle, which holds a permanent magnet at its lower end. In centered position the field emanating from the magnet is exactly perpendicular to the chip surface and the sensor output is zero for X and Y . As soon as the stick is inclined, the sensor output becomes positive or negative on X and Y . The output signal is linear with the inclination angle for a range of about $\pm 30^\circ$ of inclination

Please contact us for documentation such as application notes, technical papers and others.

This document is published by:

Sentron AG
Baarerstrasse 73
6300 Zug
Switzerland
Phone: +41 41 711 2170
Fax: +41 41 711 2188

Please visit our website for the latest version of this document:

www.sentron.ch

Technical Support:

www.sentron.ch info@sentron.ch

Commercial Support:

www.melexis.com sales_europe@melexis.com
North America: www.gmw.com sales@gmw.com

IMPORTANT NOTICE / DISCLAIMER

Devices sold by Sentron are covered by the warranty and patent indemnification provisions appearing in its Term of Sale. Sentron makes no warranty, express, statutory, implied, or by description regarding the information set forth herein or regarding the freedom of the described devices from patent infringement. Sentron reserves the right to change specifications and prices at any time and without notice. Therefore, prior to designing this product into a system, it is necessary to check with Sentron for current information. This product is intended for use in normal commercial applications.

Applications requiring extended temperature range, unusual environmental requirements, or high reliability applications, such as military, medical life-support or life-sustaining equipment are specifically not recommended without additional processing by Sentron for each application.

The information furnished by Sentron is believed to be correct and accurate. However, Sentron shall not be liable to recipient or any third party for any damages, including but not limited to personal injury, property damage, loss of profits, loss of use, interrupt of business or indirect, special incidental or consequential damages, of any kind, in connection with or arising out of the furnishing, performance or use of the technical data herein. No obligation or liability to recipient or any third party shall arise or flow out of Sentron's rendering of technical or other services.

© 2005 Sentron AG. All rights reserved.