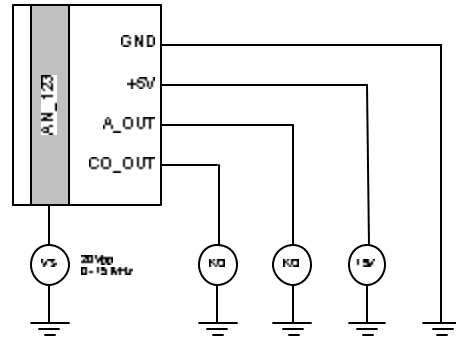
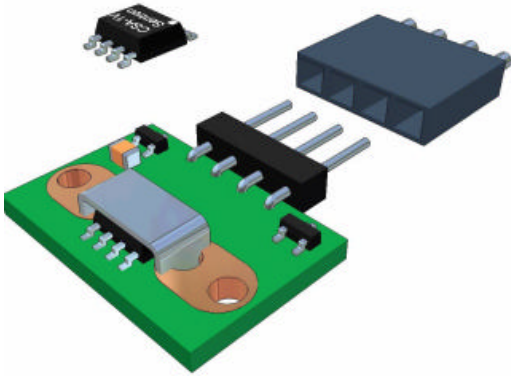


In order to quantify transient common mode voltage rejection for the CSA-1V a device was soldered onto AN\_123KIT.



A function generator was connected to the current bus bar on pcb and the GND pin of the AN\_123KIT.

This function generator was configured to generate a 10 V peak (20 V peak to peak) sine wave between GND pin and the current bus bar. Note that the sinusoidal stimulus was applied such that no electrical current would flow through the copper conductor.

The frequency of this sine wave was varied from 1 kHz to 10 MHz in discrete steps. At each frequency, an oscilloscope was used to measure the voltage amplitude peak to peak on the CSA1V output.

Transient common mode voltage rejection as a function of frequency is shown in the following figure.

