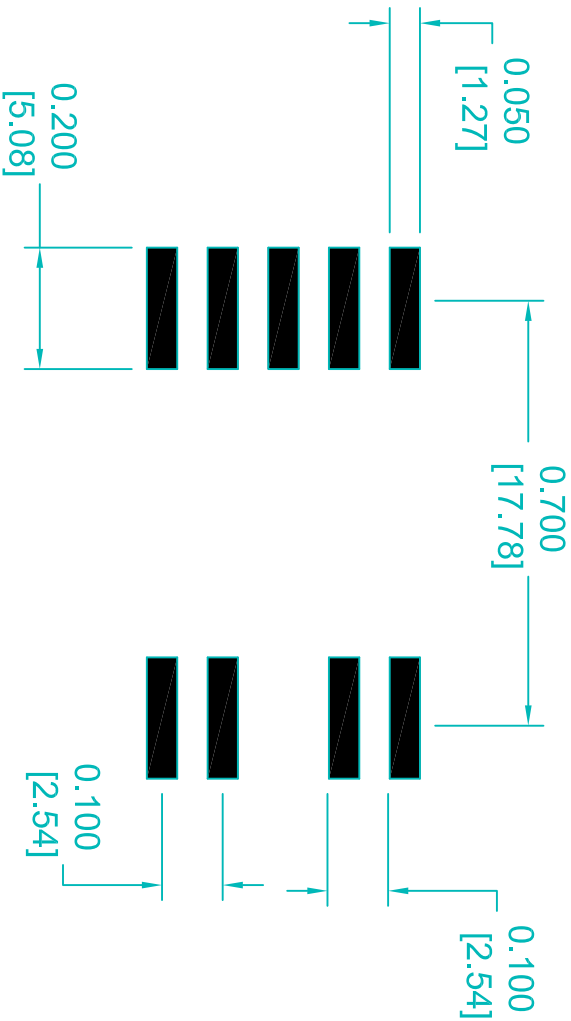
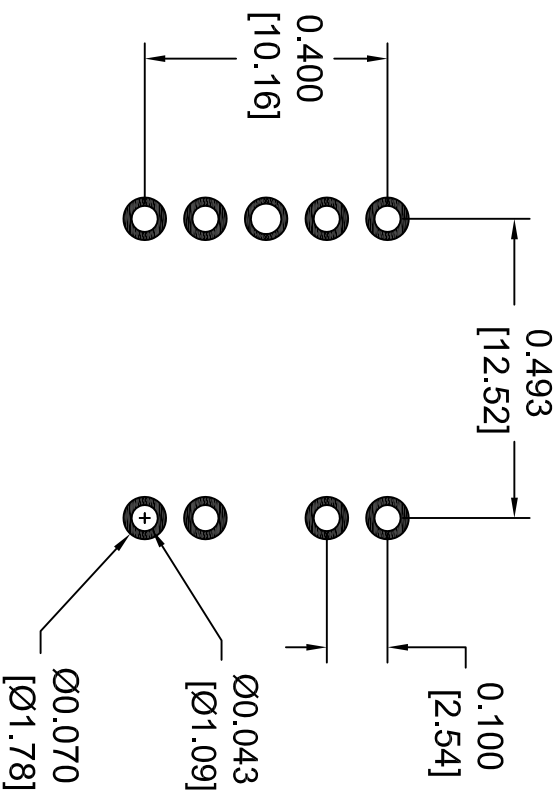


PROPRIETARY
 THIS DRAWING CONTAINS CONFIDENTIAL INFORMATION
 PROPRIETARY TO GMW, INC. IT MUST NOT BE
 REPRODUCED OR DISCLOSED TO OTHERS OR USED IN ANY
 OTHER WAY, IN WHOLE OR IN PART EXCEPT AS AUTHORIZED
 IN WRITING BY GMW, INC.

REVISIONS				
REV	DESCRIPTION	DRAFT	DATE	APPROVED
A	Revised PAD Hole size to 0.043 Was 0.033		10/09/07	KLL



SMD (-01) PCB pads



TH (-02) PCB pads

ITEM	QTY	PART NUMBER	DESCRIPTION	NOTE
PARTS LIST				
DRAWN		DATE	DO NOT SCALE FROM DRAWING DIMENSIONS & TOLERANCES (UNLESS OTHERWISE SPECIFIED)	
CHECK		DATE	LINEAR INCHES / mm	
ENGINEERING		DATE	X.XXX ±.007 ±0.03	
			X.XXX ±.01 ±0.1	
			X.X ±.03 ±0.3	
			X ±.06 ±1	
			DEG. ±.5	
			FINISH 63 ✓ 1.6 ✓	
NEXT ASSY		SYSTEM	THIRD ANGLE PROJECTION	
SOFTWARE			SCALE	
AUTOCAD 13			A3	WT Kg
				SHEET 1 OF 1
				REV B
				DRAWING NO.
				CS Series PCB PAD Recommendation
				GMM
				P.O. Box 2578, Redwood City, CA 94064
				Tel: (650)802-8292. Fax: (650)802-8298.