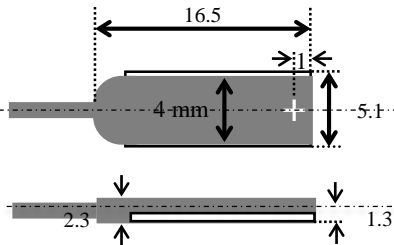
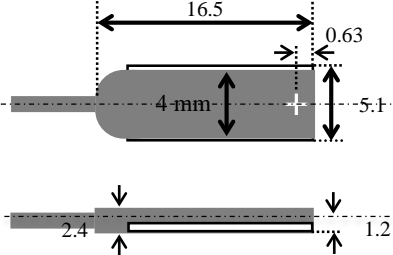
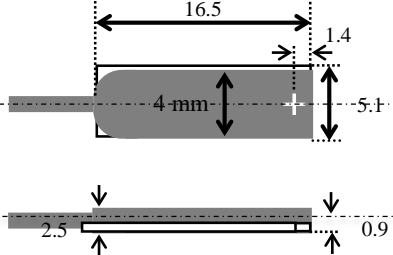
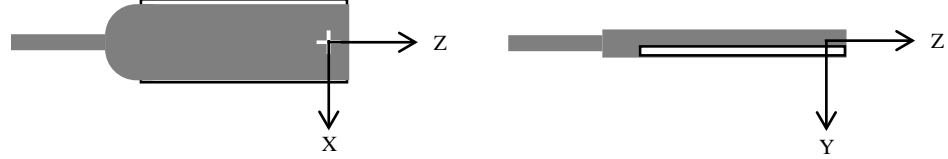




THM1176-MF AND THM1176-HF SENSOR HEAD DIMENSIONS – REV. B

THM1176-HF	THM1176-MF	
	Rev 1 “molded”	Rev 2 “cap”
<p>Notes: “+” marks the centre of the field sensitive volume. All dimensions are in mm. Tolerances are $\pm 0.1\text{mm}$</p> 	<p>Notes: “+” marks the centre of the field sensitive volume. All dimensions are in mm. Tolerances are $\pm 0.1\text{mm}$</p> 	<p>Notes: “+” marks the centre of the field sensitive volume. All dimensions are in mm. Tolerances are $\pm 0.1\text{mm}$, except the 2.5mm thickness which is $\pm 0.3\text{mm}$.</p> 
		
		
Ceramic length : 14mm	Ceramic length : 14mm	Ceramic length : 16.5mm
Sensitive volume : 150 μm x150 μm x10 μm	Sensitive volume : 200 μm x200 μm x5 μm	