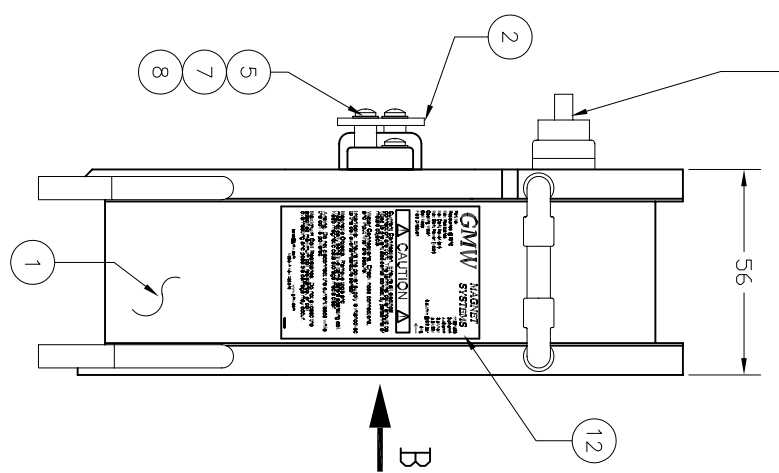
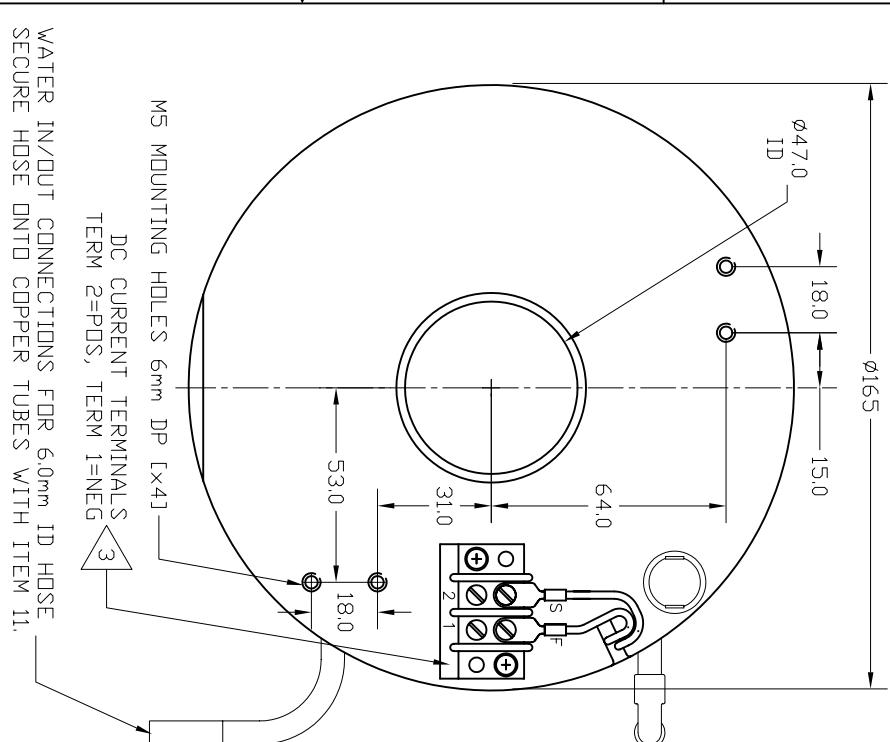


PROPRIETARY
 THIS DRAWING CONTAINS CONFIDENTIAL INFORMATION
 PROPRIETARY TO GMW, INC. IT MUST NOT BE
 REPRODUCED OR TRANSMITTED IN ANY FORM OR
 OTHER MANNER IN WHOLE OR IN PART EXCEPT AS AUTHORIZED
 IN WRITING BY GMW, INC.

OVERTEMPERATURE SENSOR 1 2 3 4

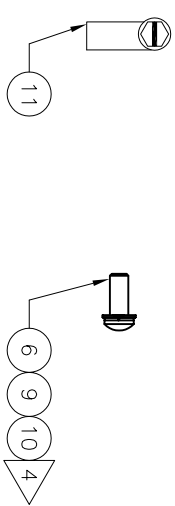
NOTE: TERMINAL COVER ITEM 2 OMITTED ON THIS VIEW



COIL DATA

CENTRAL FIELD @ 5A 0.08T
 TOTAL TURNS PER COIL 950
 COIL AMPERE TURNS 4,750
 RESISTANCE @ 20°C 3.52 ohm
 MAX RESISTANCE 4.40 ohm
 MAX CONTINUOUS POWER (air) 3.5A/15V dc (52.5W)
 MAX CONTINUOUS POWER (water) 5.0A/22V dc (110W)
 COOLING (WATER) 0.5L/min @ 0.2 BAR (3 PSID)
 COIL MASS 5 kg

DO NOT EXCEED THE MAXIMUM SPECIFIED COIL RESISTANCE OR COIL OVERHEATING AND POSSIBLE DAMAGE MAY OCCUR.



- NOTE:
1. APPLY A SMALL AMOUNT OF THERMAL GREASE TO THREAD ON SENSOR BEFORE FITTING ONTO COIL.
 2. THE OVERTEMPERATURE SENSOR SHOULD BE INTERLOCKED TO THE COIL POWER SUPPLY. IN THE EVENT OF COOLING WATER FAILURE THE SENSOR WILL OPEN CIRCUIT SHUTTING DOWN THE COIL POWER SUPPLY.
 3. DURING OPERATION DANGEROUS VOLTAGES CAN BE PRESENT AT THE COIL TERMINALS. THE TERMINAL COVER (ITEM 2) SHOULD BE FITTED AS SHOWN ABOVE. THE TERMINAL COVER WILL PREVENT ACCIDENTAL CONTACT OF PERSONNEL OR METAL TOOLS WITH THE LIVE TERMINALS. A METAL TOOL DROPPED ACROSS THE LIVE TERMINALS CAN PRODUCE A DANGEROUS ARC.
 4. COIL MOUNTING HARDWARE.

ITEM	QTY	PART NUMBER	DESCRIPTION	NOTE
12	1	10907-0036-0	LABEL, SPECIFICATION-CAUTION [RH Coil]	
11	2	INDENT 72-173	HOSE CLAMP 8-12 S/S, NORMA	
10	4	DIN 433	M5 WASHER, FLAT S/S	
9	4	DIN 7980	M5 WASHER, SPRING S/S	
8	2	DIN 433	M3 WASHER, FLAT S/S	
7	2	DIN 7980	M3 WASHER, SPRING S/S	
6	4	DIN 7985A	M5 x 12 PAN HD PHILLIPS SCREW S/S	
5	2	DIN 7985A	M3 x 20 PAN HD PHILLIPS SCREW S/S	
4	1		WASHER, NEOPRENE 16 x 4 x 4	
3	1	3450G611-1	SENSOR 50° C, ELWOOD	
2	1	17801570	TERMINAL COVER	
1	1	11801521	COIL [RH Coil]	

REVISIONS

REV	DESCRIPTION	DRAWN	DATE	APPROVED
A	RELEASE		09/24/07	G.DOUGLAS

ENGINEERING DATE 03/02/07

DO NOT SCALE FROM DRAWING DIMENSIONS & TOLERANCES (UNLESS OTHERWISE SPECIFIED)

GMW
 955 Industrial Rd, San Carlos, CA 94070
 Tel: (650)802-8292, Fax: (650)802-8298.

COIL ASSEMBLY [RH]
 MODEL: 3470

SOFTWARE AUTOCAD 2000

SCALE 1:1 WT kg SHEET 1 OF 1