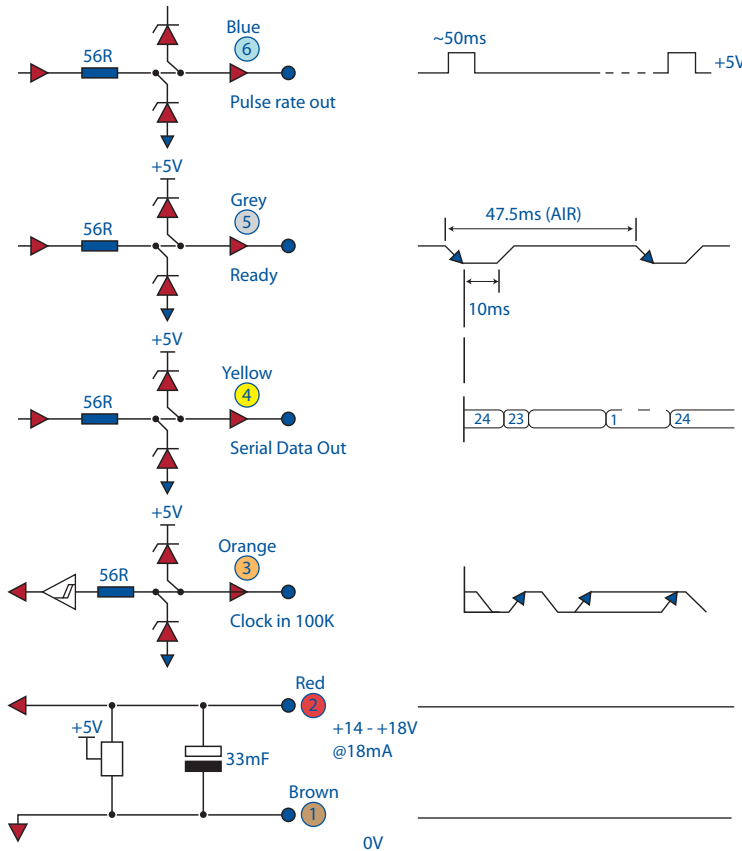


BSS-02B electronic interface



0-16000cps = 0-16000 x 10⁻⁵ cgs Full Scale

High to low transition denotes data ready. The 10ms low period has a repetition period of 47.5ms in air but this will extend for positive values. Data can be clocked out at any time.

Data are clocked out in 24-bit binary serial format during positive transitions of clock. The most significant bit, bit 24 leads and is present on the port prior to clocking. Data are not stable for one microsecond prior to appearance of /Ready.

Data can be clocked out at any time following a 'Ready' transition. The first low to high clock transition will cause bit 23 to appear on the port. Minimum clock pulse width is 0.5ms.

Will operate from poorly regulated 15V supply. 0V internally connected to chassis.