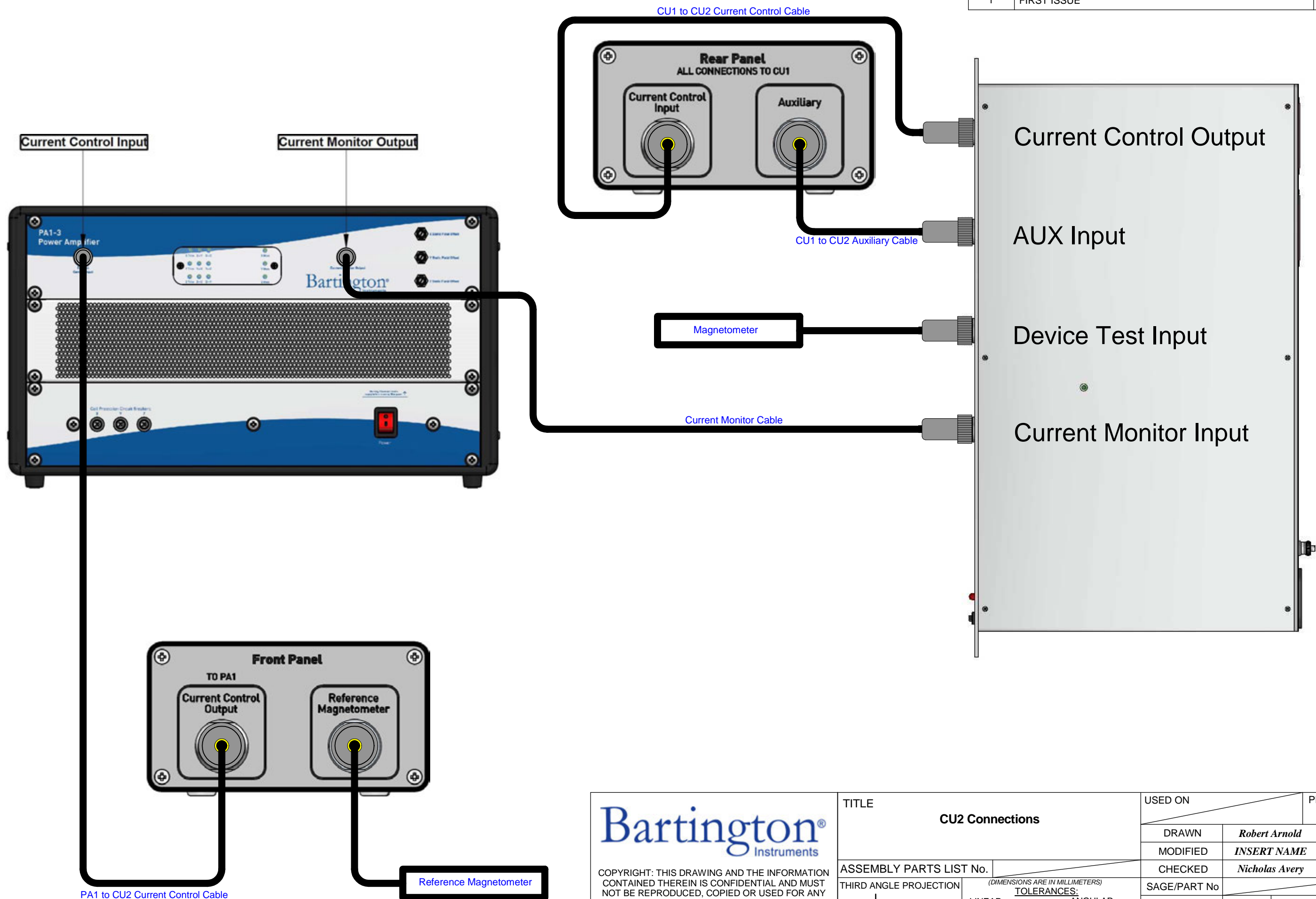


ISSUE	REVISIONS	DCN No.
1	FIRST ISSUE	1499



	TITLE CU2 Connections		USED ON		PROJECT No D1606
			DRAWN	<i>Robert Arnold</i>	28/11/2016
		MODIFIED		<i>INSERT NAME</i>	XX/XX/XX
		CHECKED		<i>Nicholas Avery</i>	28/11/2016
ASSEMBLY PARTS LIST No.		SAGE/PART No		DRAWING No	
THIRD ANGLE PROJECTION 		(DIMENSIONS ARE IN MILLIMETERS) TOLERANCES: LINEAR: XX ±0.3mm XX.X ±0.1mm XX.XX ±0.05mm		ANGULAR: XX ±0.5° XX.X ±0.1° XX.XX ±0.05°	DRAWING No DR4034
COPYRIGHT: THIS DRAWING AND THE INFORMATION CONTAINED THEREIN IS CONFIDENTIAL AND MUST NOT BE REPRODUCED, COPIED OR USED FOR ANY PURPOSE WHATSOEVER WITHOUT THE PRIOR PERMISSION OF BARTINGTON INSTRUMENTS LTD.		ISSUE 1	SEE DCN NUMBER FOR DESIGN CHANGE HISTORY		