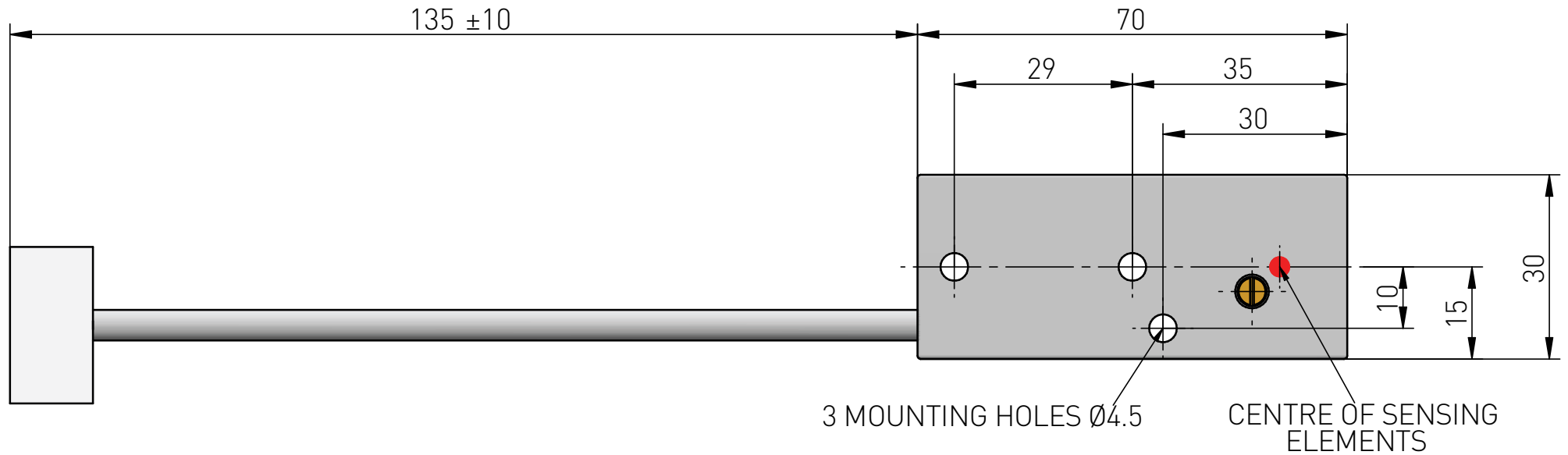


Mag648-MX and Mag649-MX outline drawing



CONNECTIONS	
PIN OUT	MAG648-MX/MAG649-MX
1	+V
2	NC
3	+X
4	-X
5	+Y
6	-Y
7	+Z
8	-Z
9	NC
10	GND

ALL DIMENSIONS IN mm

