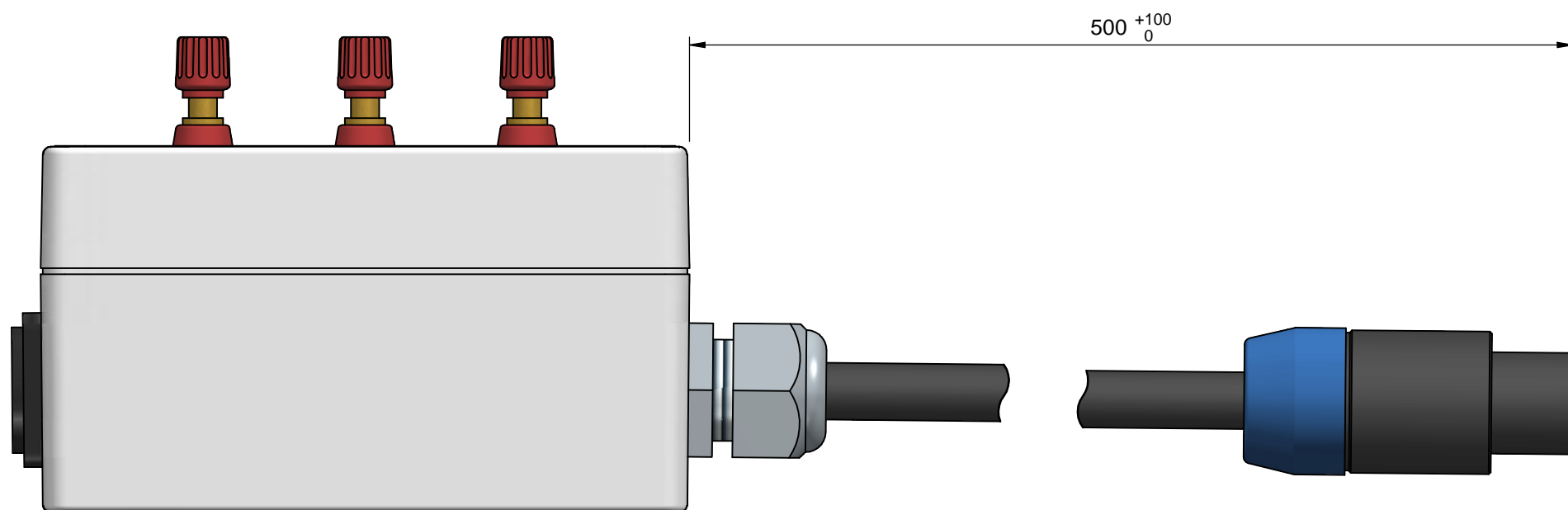
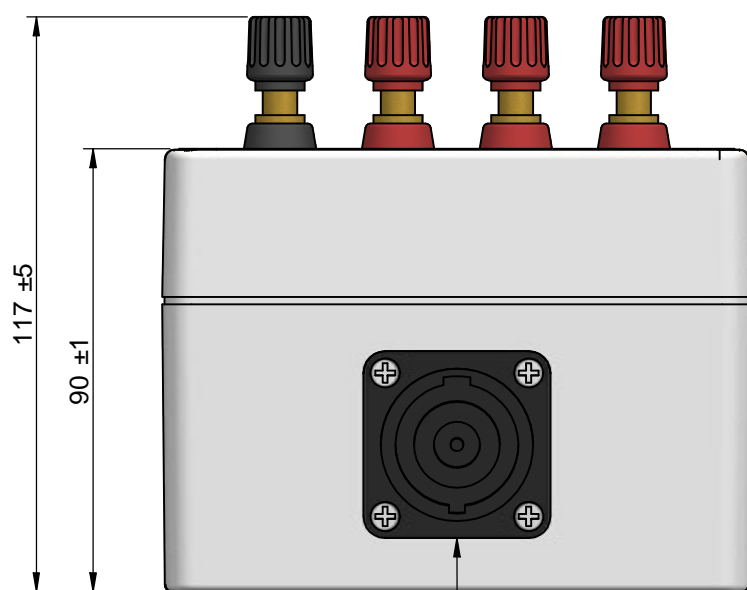
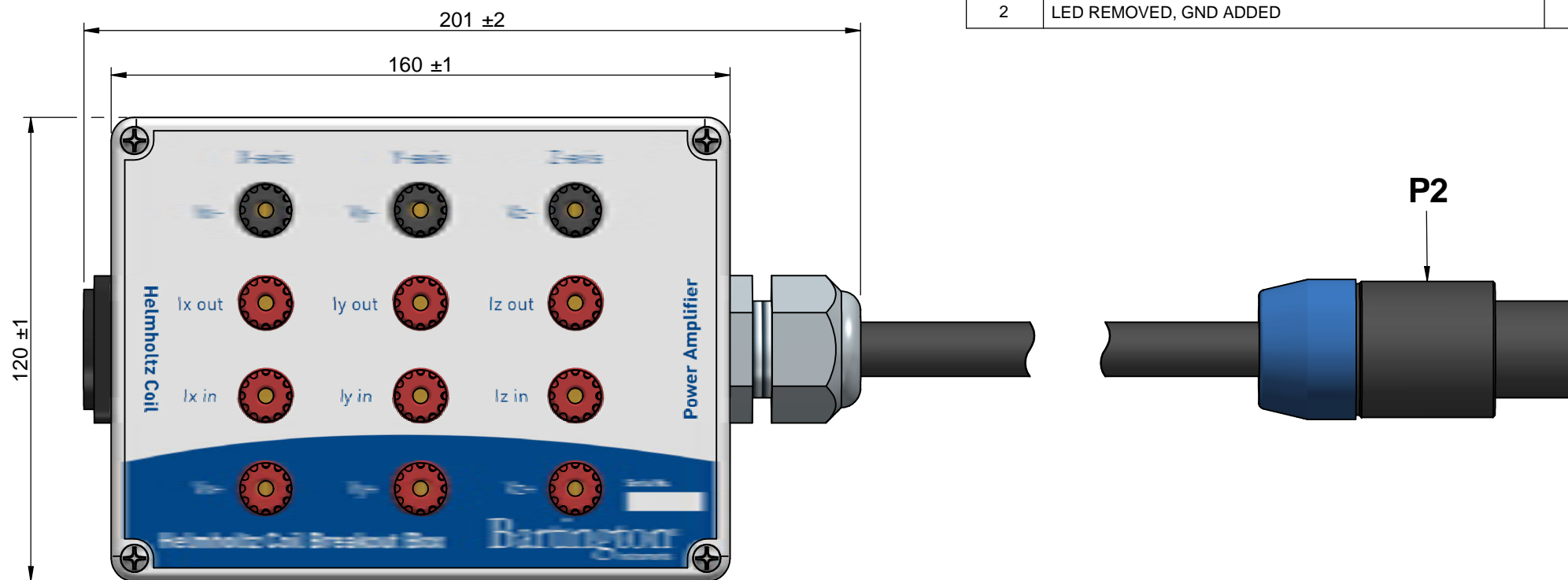
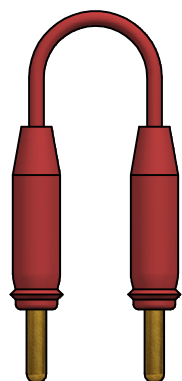


ISSUE	REVISIONS	DCN No.
2	LED REMOVED, GND ADDED	1455

4mm LINK HARNESS (130mm LG):
3 OFF SUPPLIED WITH BREAKOUT
BOX



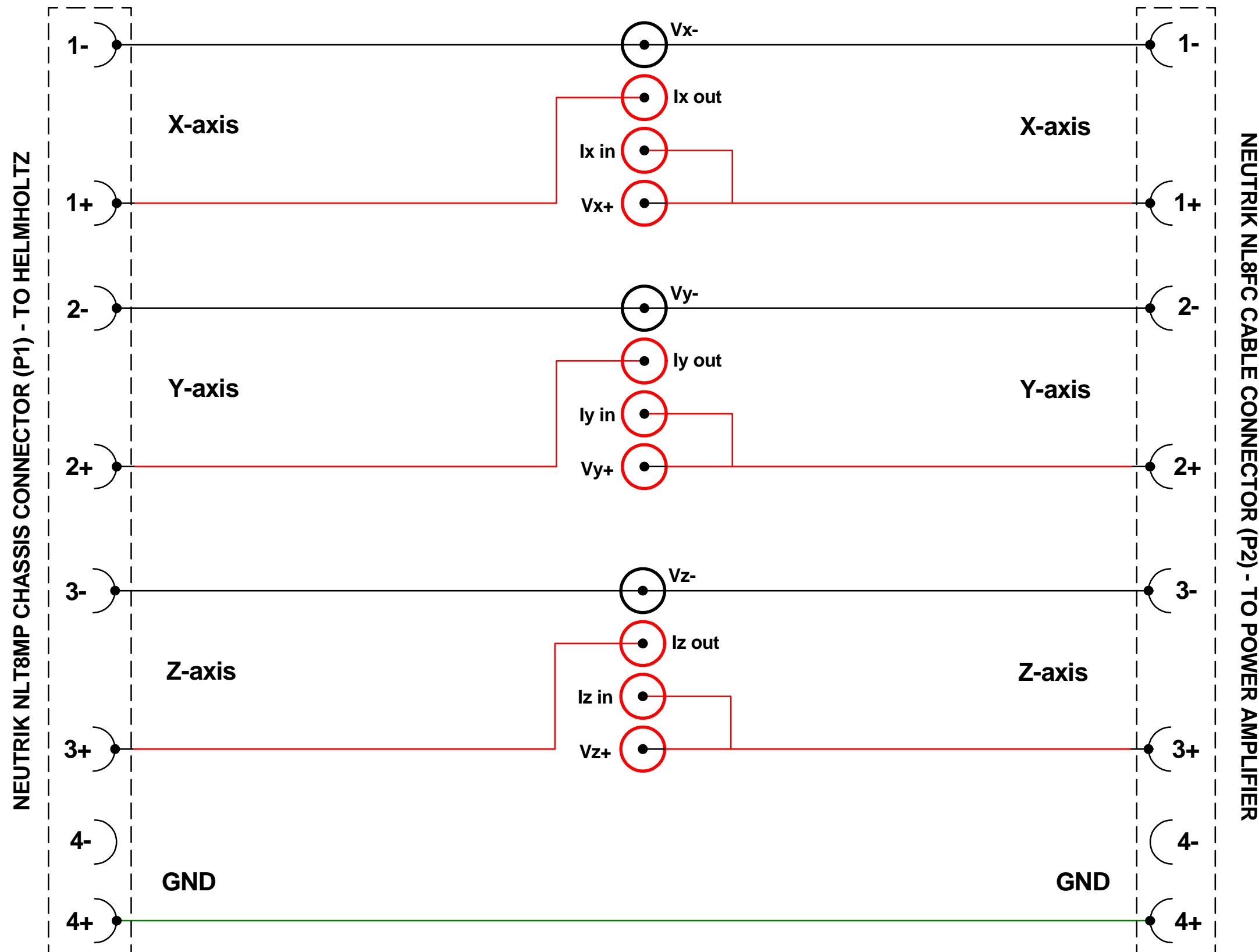
P1

WIRING SCHEMATIC ON PAGE 2...

<p>COPYRIGHT: THIS DRAWING AND THE INFORMATION CONTAINED THEREIN IS CONFIDENTIAL AND MUST NOT BE REPRODUCED, COPIED OR USED FOR ANY PURPOSE WHATSOEVER WITHOUT THE PRIOR PERMISSION OF BARTINGTON INSTRUMENTS LTD.</p>	<p>DIMENSIONS ARE IN MILLIMETERS</p> <p>THIRD ANGLE PROJECTION </p> <p>TOLERANCES FOR MACHINING: (UNLESS OTHERWISE SPECIFIED)</p> <table> <tr> <td>LINEAR:</td> <td>ANGULAR:</td> </tr> <tr> <td>XX ±0.3mm</td> <td>XX ±0.5°</td> </tr> <tr> <td>XX.X ±0.1mm</td> <td>XX.X ±0.1°</td> </tr> <tr> <td>XX.XX ±0.05mm</td> <td>XX.XX ±0.05°</td> </tr> </table>	LINEAR:	ANGULAR:	XX ±0.3mm	XX ±0.5°	XX.X ±0.1mm	XX.X ±0.1°	XX.XX ±0.05mm	XX.XX ±0.05°	<p>TITLE</p> <p>Helmholtz Breakout Box Outline Drawing</p>	<p>USED ON</p> <table> <tr> <td>DRAWN</td> <td><i>Daniel Cetnik</i></td> <td>09/02/2016</td> </tr> <tr> <td>MODIFIED</td> <td><i>Daniel Cetnik</i></td> <td>02/09/2016</td> </tr> <tr> <td>MECH' CHECK</td> <td><i>Robert Arnold</i></td> <td>02/09/2016</td> </tr> <tr> <td>ELEC' CHECK</td> <td><i>Robert Arnold</i></td> <td>02/09/2016</td> </tr> </table>	DRAWN	<i>Daniel Cetnik</i>	09/02/2016	MODIFIED	<i>Daniel Cetnik</i>	02/09/2016	MECH' CHECK	<i>Robert Arnold</i>	02/09/2016	ELEC' CHECK	<i>Robert Arnold</i>	02/09/2016	<p>PROJECT No D1502</p>
	LINEAR:	ANGULAR:																						
XX ±0.3mm	XX ±0.5°																							
XX.X ±0.1mm	XX.X ±0.1°																							
XX.XX ±0.05mm	XX.XX ±0.05°																							
DRAWN	<i>Daniel Cetnik</i>	09/02/2016																						
MODIFIED	<i>Daniel Cetnik</i>	02/09/2016																						
MECH' CHECK	<i>Robert Arnold</i>	02/09/2016																						
ELEC' CHECK	<i>Robert Arnold</i>	02/09/2016																						
<p>TECHNICAL INFORMATION No. TI3827</p> <p>OPERATION MANUAL No. OM3225</p> <p>DATASHEET No. DS2613</p>	<p>DRAWING No DR3827</p> <p>ISSUE 2</p> <p>SEE DCN NUMBER FOR DESIGN CHANGE HISTORY</p>																							

(P1) Neutrik NLT8MP	
Pin	Function
1+	X+
1-	X-
2+	Y+
2-	Y-
3+	Z+
3-	Z-
4+	GND
4-	N.C.

(P2) Neutrik NL8FC	
Pin	Function
1+	X+
1-	X-
2+	Y+
2-	Y-
3+	Z+
3-	Z-
4+	GND
4-	N.C.



COPYRIGHT: THIS DRAWING AND THE INFORMATION CONTAINED THEREIN IS CONFIDENTIAL AND MUST NOT BE REPRODUCED, COPIED OR USED FOR ANY PURPOSE WHATSOEVER WITHOUT THE PRIOR PERMISSION OF BARTINGTON INSTRUMENTS LTD.

DIMENSIONS ARE IN MILLIMETERS



TOLERANCES FOR MACHINING: (UNLESS OTHERWISE SPECIFIED)

LINEAR:	ANGULAR:
XX ±0.3mm	XX ±0.5°
XX.X ±0.1mm	XX.X ±0.1°
XX.XX ±0.05mm	XX.XX ±0.05°

TITLE
**Helmholtz Breakout Box
Outline Drawing**

TECHNICAL INFORMATION No.	TI3827
OPERATION MANUAL No.	OM3225
DATASHEET No.	DS2613

USED ON		PROJECT No
		D1502
DRAWN	Daniel Cetnik	09/02/2016
MODIFIED	Daniel Cetnik	02/09/2016
MECH' CHECK	Robert Arnold	02/09/2016
ELEC' CHECK	Robert Arnold	02/09/2016
DRAWING No	ISSUE	SEE DCN NUMBER FOR DESIGN CHANGE HISTORY
DR3827	2	