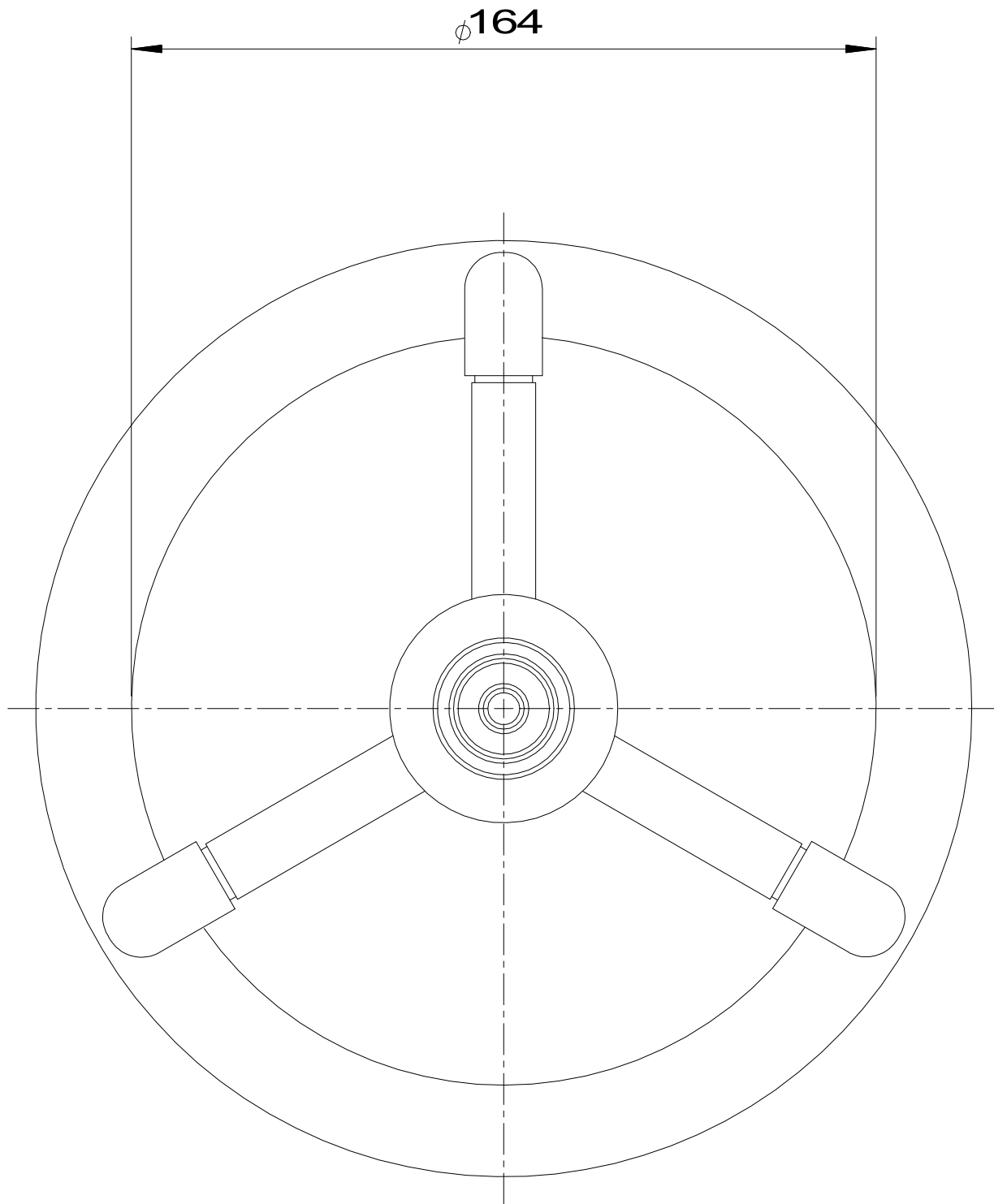
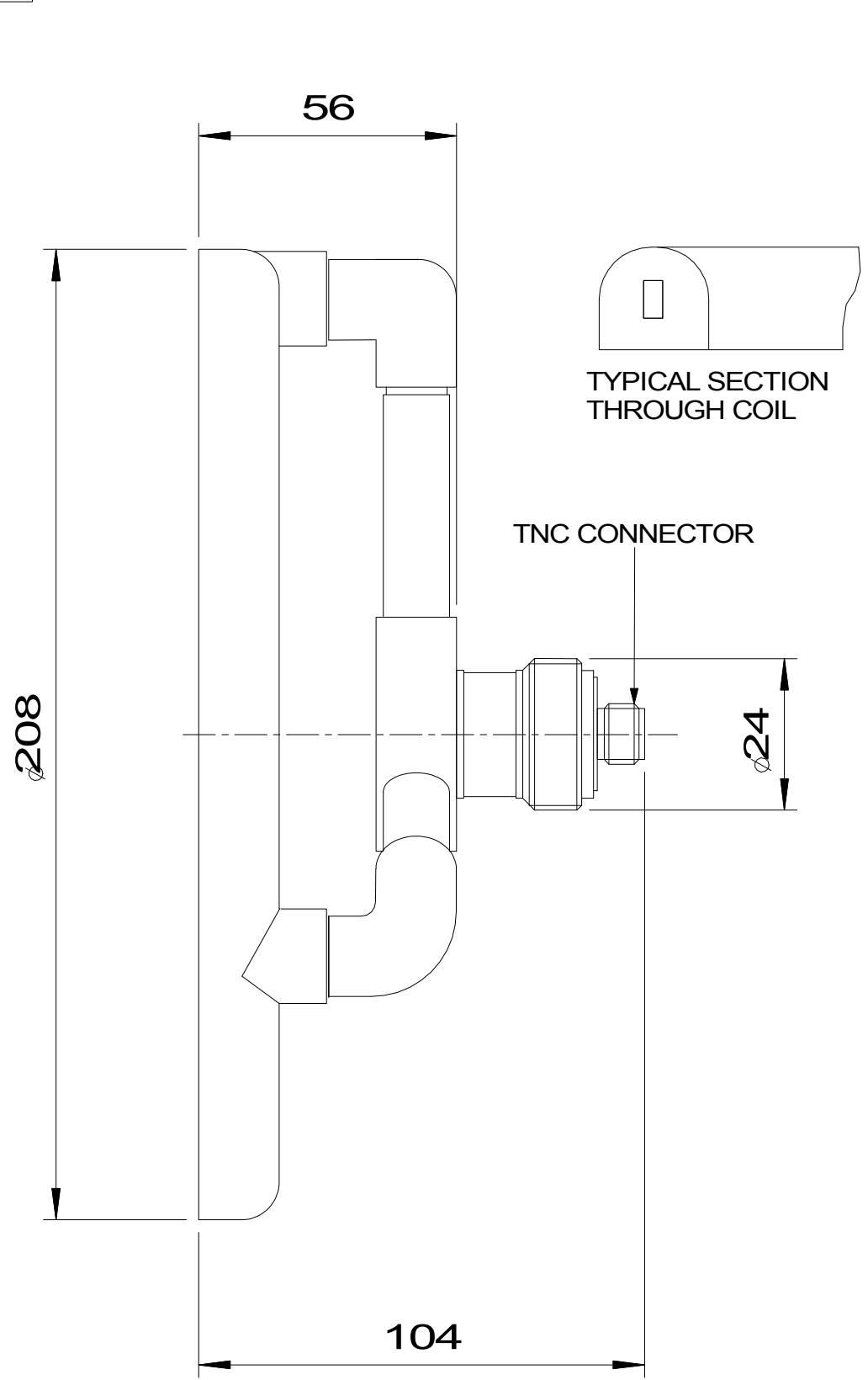


1 SECURITY CLASSIFICATION

DO NOT SCALE

FOR EXPLANATION OF DIMENSIONING ETC. REFER TO BS308



A
B
C
D
E
A
3

Bartington
instruments

COPYRIGHT: THIS DRAWING AND THE INFORMATION CONTAINED THEREIN IS CONFIDENTIAL AND MUST NOT BE REPRODUCED, COPIED OR USED FOR ANY PURPOSE WHATSOEVER WITHOUT THE PRIOR PERMISSION OF BARTINGTON INSTRUMENTS LTD.

THIRD ANGLE PROJECTION	
UNTOLERANCED DIMENSIONS	E 0.3
ANGLES	E
MATERIAL	/

DIMS IN mm	
SCALE	1=1
SURFACE TEXTURE	1.6 mm
PROTECTIVE FINISH	/

CHECKED	
DRAWN	

CUSTOMER	
TITLE	MS2D OUTLINE

USED ON	OM0408	PROJECT No.	D578
ISSUE	2	SEE AMENDMENT RECORD FOR CHANGE HISTORY	
DRAWING No.	DR0641		