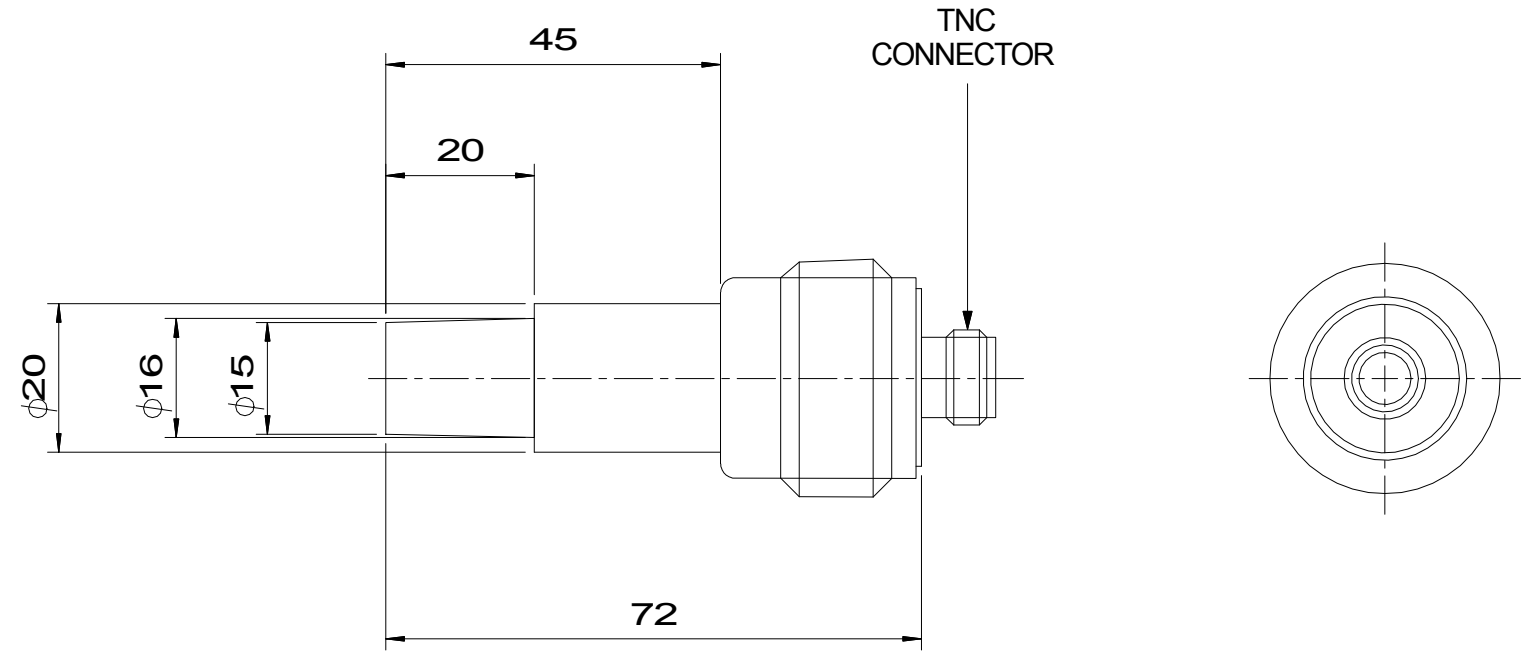


1
SECURITY CLASSIFICATION

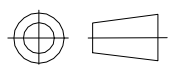
DO NOT SCALE

FOR EXPLANATION OF DIMENSIONING ETC. REFER TO BS308



Bartington
instruments

COPYRIGHT: THIS DRAWING AND THE INFORMATION CONTAINED THEREIN IS CONFIDENTIAL AND MUST NOT BE REPRODUCED, COPIED OR USED FOR ANY PURPOSE WHATSOEVER WITHOUT THE PRIOR PERMISSION OF BARTINGTON INSTRUMENTS LTD.

THIRD ANGLE PROJECTION 
 UNTOLERANCED DIMENSIONS ± 0.3
 ANGLES ± 0.3
 MATERIAL

DIMS IN mm
 SCALE 1=1
 SURFACE TEXTURE 1.6 \sqrt{m}
 PROTECTIVE FINISH

CHECKED
 DRAWN

CUSTOMER
 TITLE
**MS2F
 OUTLINE**

| | |
|------------------------------|---|
| USED ON OM0408 | PROJECT No. |
| ISSUE 1 | SEE AMENDMENT RECORD FOR CHANGE HISTORY |
| DRAWING No. DR0640 | |

A
B
C
D
E
A
3