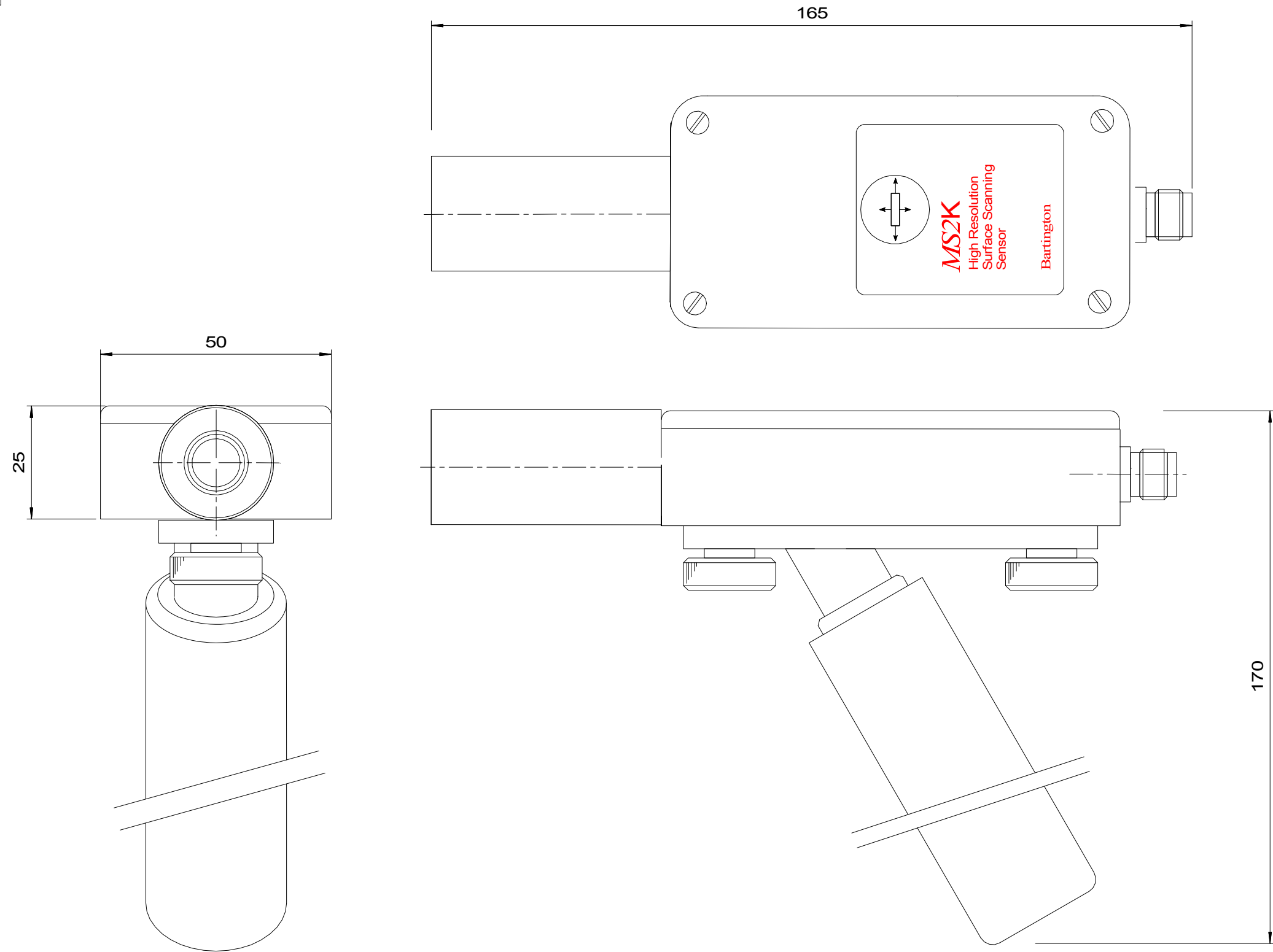


SECURITY CLASSIFICATION

DO NOT SCALE

FOR EXPLANATION OF DIMENSIONING ETC. REFER TO BS 308



A
B
C
D
E

Bartington
instruments

COPYRIGHT: THIS DRAWING AND THE INFORMATION CONTAINED THEREIN IS CONFIDENTIAL AND MUST NOT BE REPRODUCED, COPIED OR USED FOR ANY PURPOSE WHATSOEVER WITHOUT THE PRIOR PERMISSION OF BARTINGTON INSTRUMENTS LTD.

THIRD ANGLE PROJECTION	
UNTOLERANCED DIMENSIONS	
ANGLES	
MATERIAL	

DIMS IN mm	SCALE NTS
SURFACE TEXTURE	
PROTECTIVE FINISH	

CHECKED

DRAWN
[Signature]

CUSTOMER

TITLE
**MS2K
OUTLINE**

USED ON
SM0408

ISSUE
3

DRAWING No.
DR1830

PROJECT No.
MS2

SEE AMENDMENT RECORD FOR CHANGE HISTORY

A
3