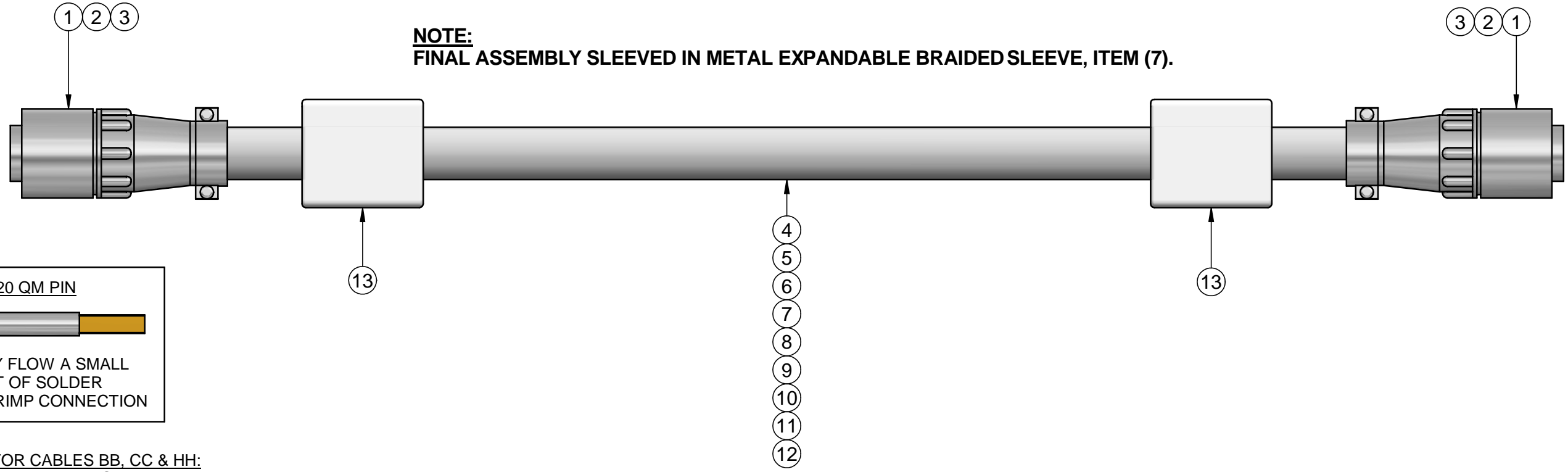


DCN NUMBER
740
778
788

DO NOT SCALE

FOR EXPLANATION OF DIMENSIONING ETC. REFER TO BS 308

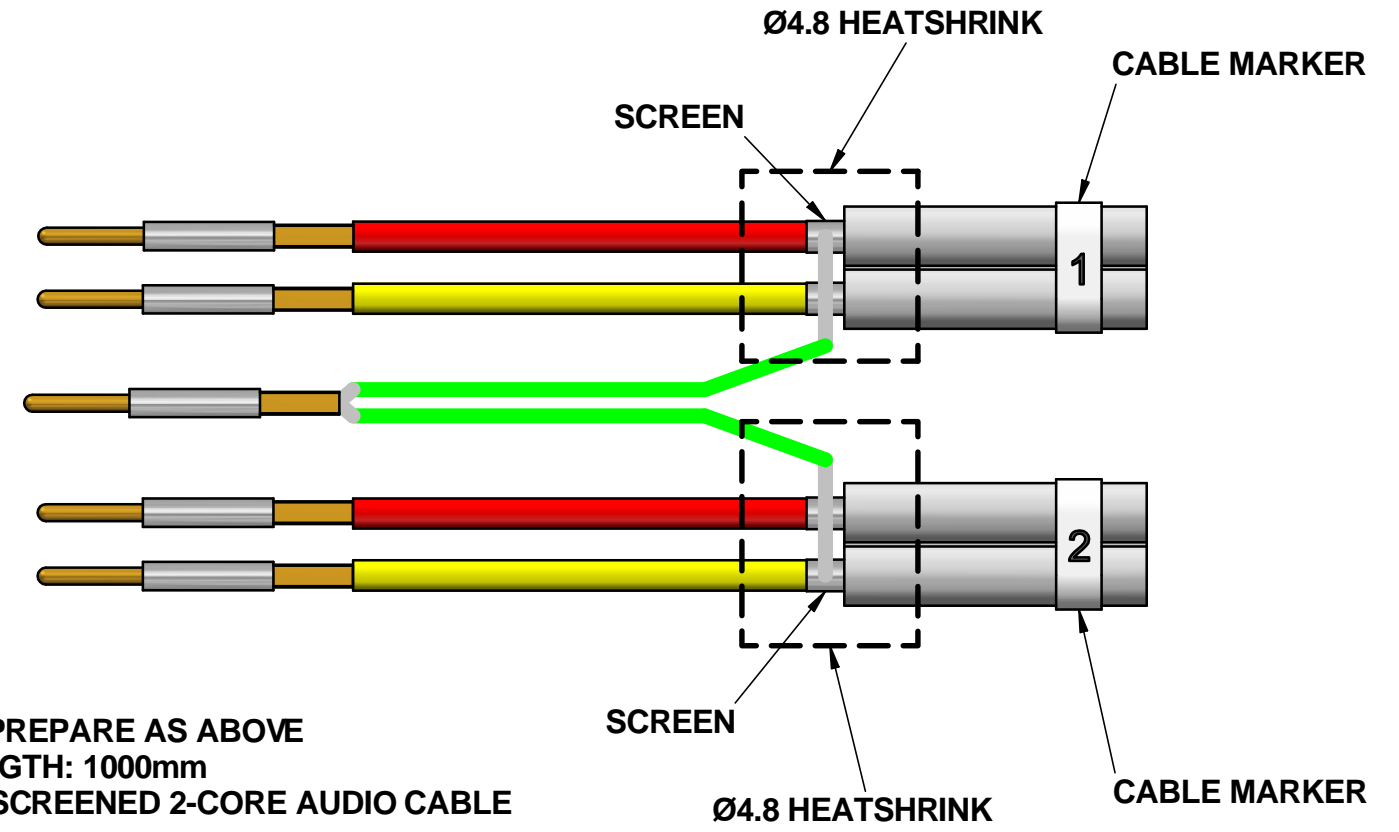
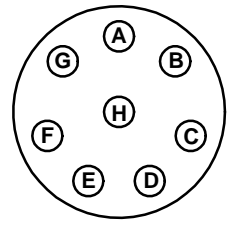
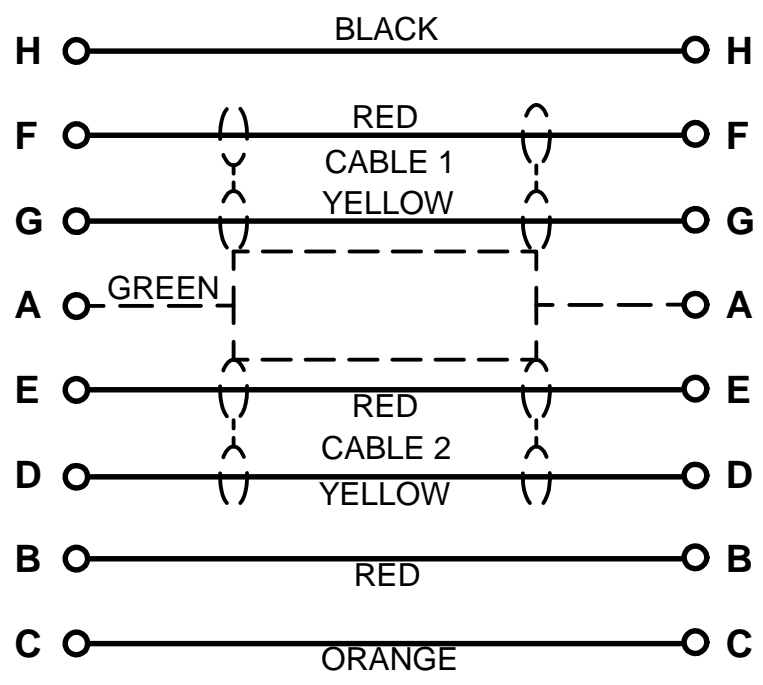


SIZE 20 QM PIN

CAREFULLY FLOW A SMALL AMOUNT OF SOLDER INTO EACH CRIMP CONNECTION

FOR CABLES BB, CC & HH:
OVERALL LENGTH 1000mm

TYPE:
RED 24/0.2
ORANGE 24/0.2
BLACK 24/0.2



FOR CABLES 1 & 2, PREPARE AS ABOVE
OVERALL LENGTH: 1000mm
CABLE TYPE: INDIVIDUALLY LAP SCREENED 2-CORE AUDIO CABLE



COPYRIGHT: THIS DRAWING AND THE INFORMATION CONTAINED THEREIN IS CONFIDENTIAL AND MUST NOT BE REPRODUCED, COPIED OR USED FOR ANY PURPOSE WHATSOEVER WITHOUT THE PRIOR PERMISSION OF BARTINGTON INSTRUMENTS LTD.

THIRD ANGLE PROJECTION	
UNTOLERANCED:	
DIMENSIONS	±0.1
ANGLES	±0.5
MATERIAL	PL0178

DIMENSIONS IN mm	
ORIGINAL SCALE	NTS
SURFACE TEXTURE	µm
PROTECTIVE FINISH:	

CHECKED
Steven Theobald

DRAWN
Daniel Cetnik

CONFIDENTIALITY	
TITLE	MS2WF to MS2WFP Cable Assembly

USED ON	PM0178 PM1034 PM0381	PROJECT No	MS2
DATE DRAWN	17/03/2011		
DATE MODIFIED	14/07/2011		
DRAWING No	DR0178	ISSUE	7
			SEE DCN NUMBER FOR DESIGN CHANGE HISTORY