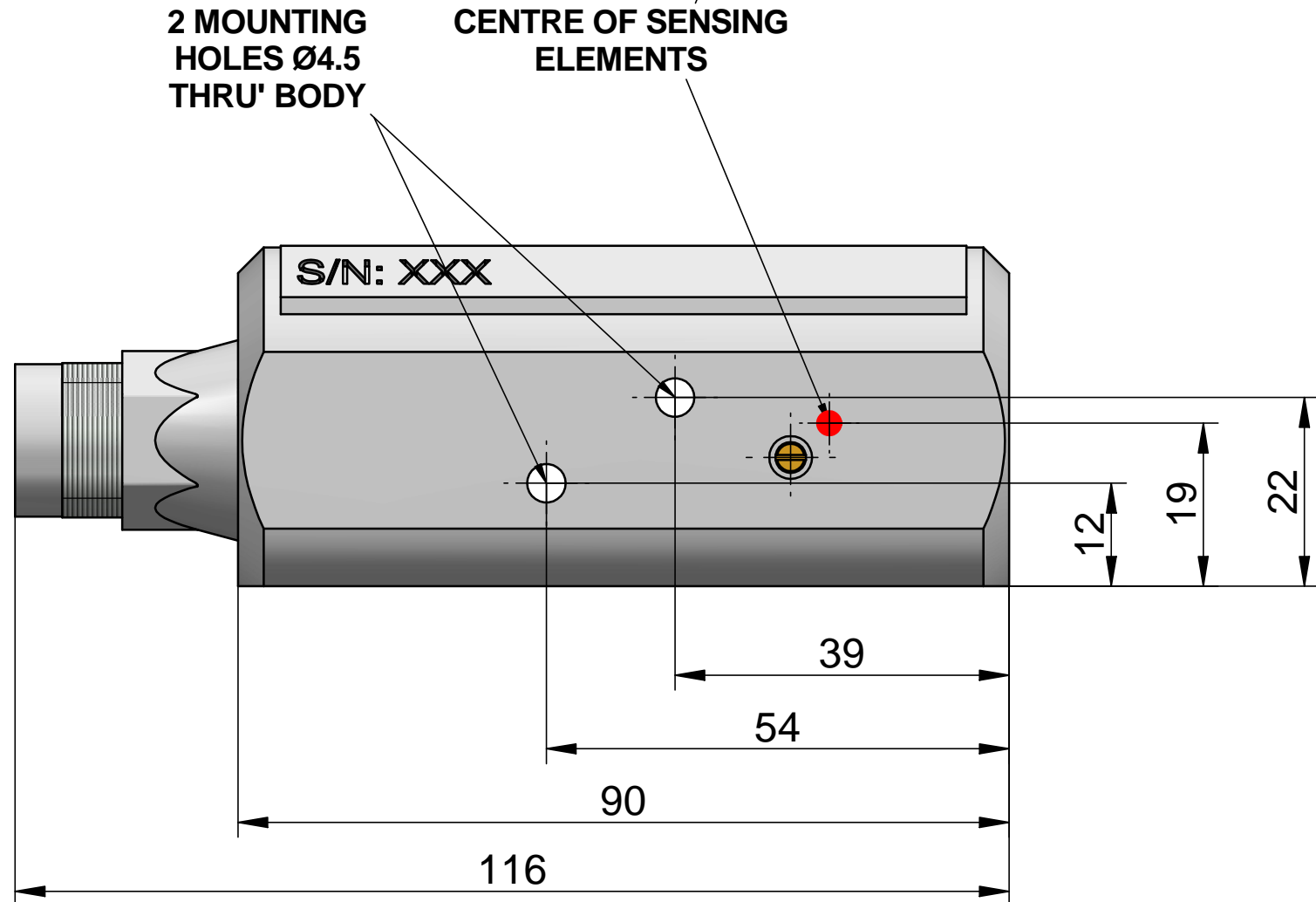
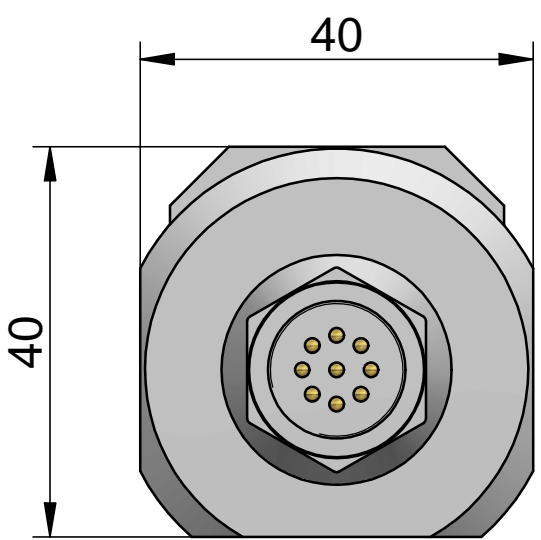
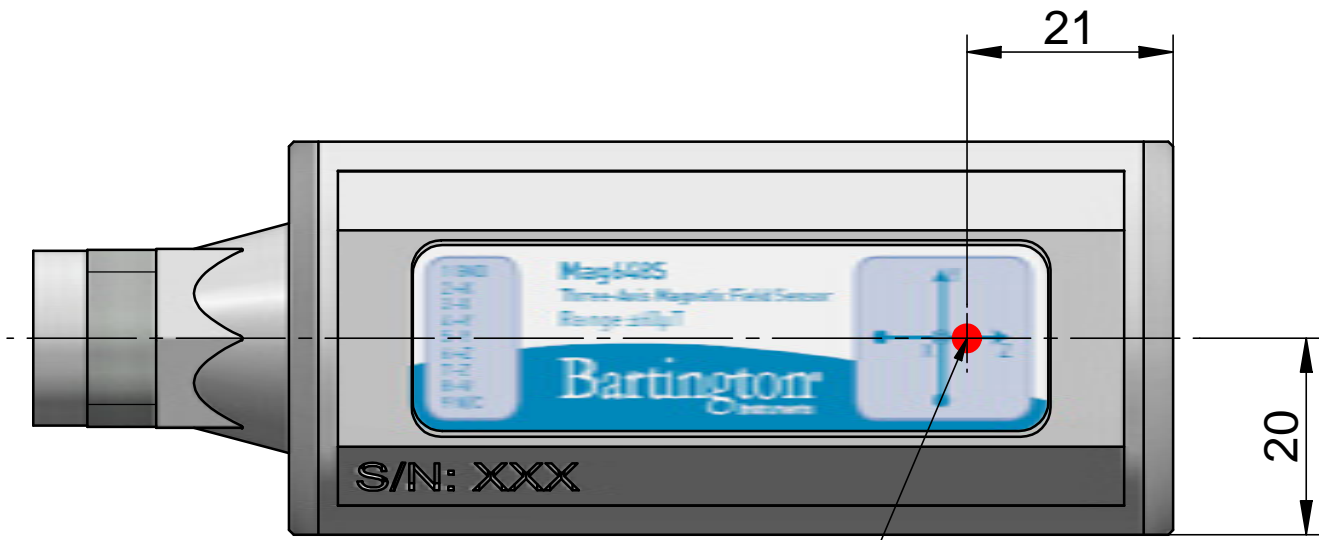


DCN
NUMBER
766

CONNECTIONS	
PIN OUT	MAG648S/MAG649S
1	GND
2	+X
3	-X
4	+Y
5	-Y
6	+Z
7	-Z
8	+V
9	NC



Bartington
Instruments

COPYRIGHT: THIS DRAWING AND THE INFORMATION CONTAINED THEREIN IS CONFIDENTIAL AND MUST NOT BE REPRODUCED, COPIED OR USED FOR ANY PURPOSE WHATSOEVER WITHOUT THE PRIOR PERMISSION OF BARTINGTON INSTRUMENTS LTD.

THIRD ANGLE PROJECTION	
UNTOLERANCED:	
DIMENSIONS	±0.1
ANGLES	±0.5
MATERIAL	

DIMENSIONS IN mm	DO NOT SCALE
ORIGINAL SCALE	NTS
SURFACE TEXTURE	µm
PROTECTIVE FINISH:	

CHECKED
Oliver Perrin

DRAWN
Daniel Cetnik

CONFIDENTIALITY	
TITLE	Mag648S & 649S Outline Drawing

USED ON	Mag648S Mag649S	PROJECT No	D648
DATE DRAWN	24/05/2011		
DATE MODIFIED	21/06/2011		
DRAWING No	ISSUE	SEE DCN NUMBER FOR DESIGN CHANGE HISTORY	
DR2637	2		