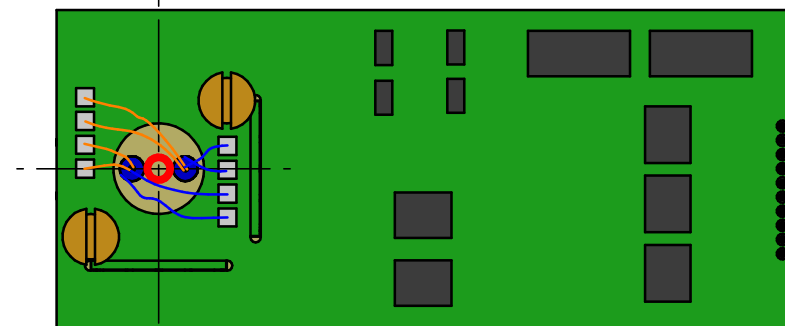
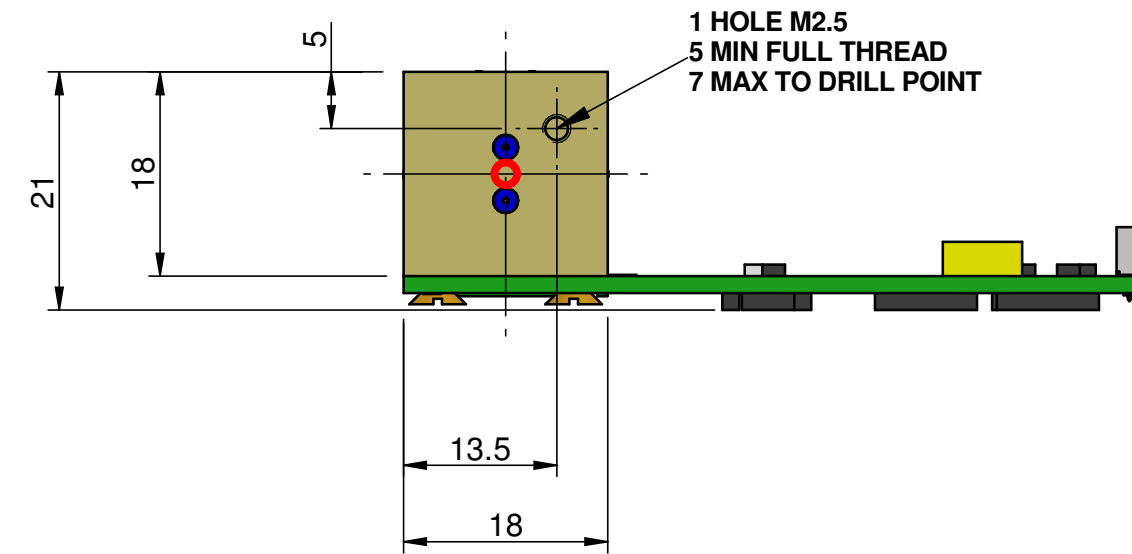
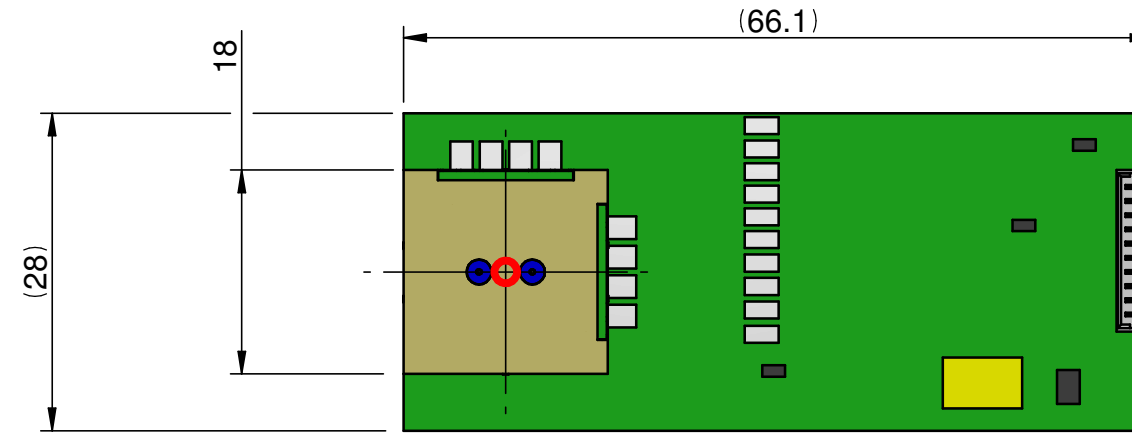
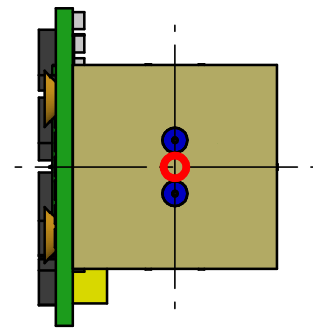
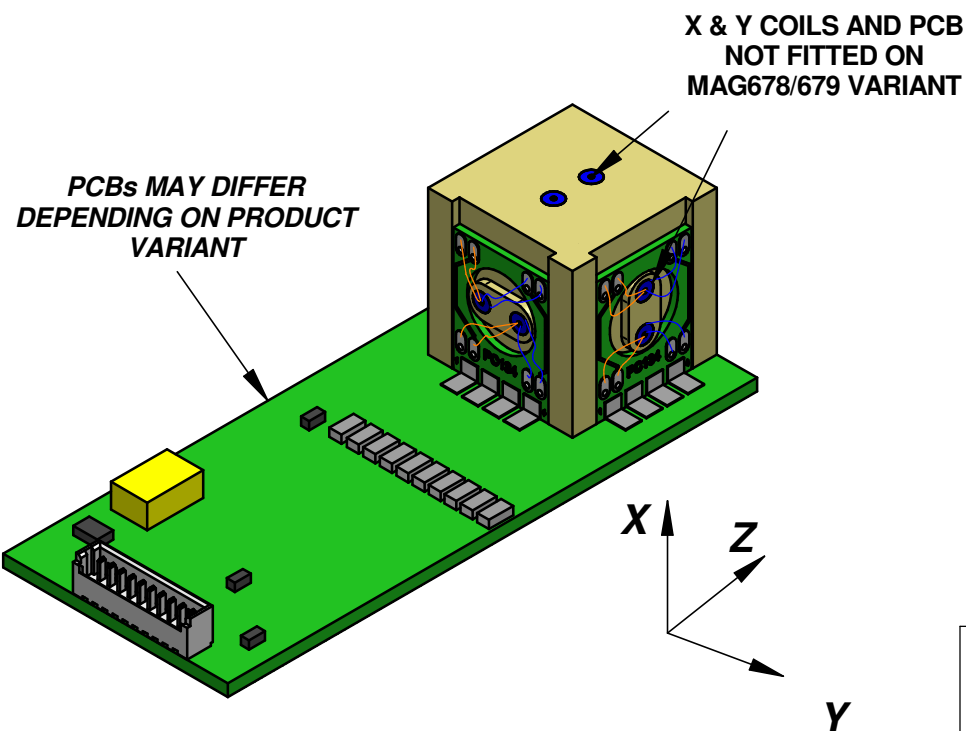


CONNECTIONS	
PIN No.	FUNCTION
1	GND
2	X+
3	X-
4	GND
5	Y+
6	Y-
7	GND
8	Z+
9	Z-
10	V+



● - CENTRE OF SENSING ELEMENTS

NOT ALL PCB COMPONENTS SHOWN
COMPONENTS SHOWN FOR REFERENCE ONLY



NOTES:
 1. COILS MAY PROTRUDE FROM COIL BLOCK UP TO 0.5mm
 2. SPILLS MAY PROTRUDE BY ~1mm

<p>THIS DOCUMENT AND THE INFORMATION CONTAINED IN IT IS COMMERCIAL IN CONFIDENCE AND © BARTINGTON INSTRUMENTS LTD AND/OR ITS LICENSORS. NEITHER MAY BE REPRODUCED, COPIED OR TRANSMITTED TO ANY THIRD PARTY, IN EACH CASE IN ANY MEDIUM, WITHOUT THE PRIOR WRITTEN PERMISSION OF BARTINGTON INSTRUMENTS LTD.</p>	DIMENSIONS ARE IN MILLIMETERS THIRD ANGLE PROJECTION	TITLE Mag648U/649U/678U/679U Outline Drawing	PROJECT No D648	
	UNTOLERANCED DIMENSIONS LINEAR: XX ±0.3mm, XX.X ±0.1mm, XX.XX ±0.05mm ANGULAR: XX ±0.5°, XX.X ±0.1°, XX.XX ±0.05°		TECHNICAL INFORMATION No. TI2298 OPERATION MANUAL No. OM2298 DATASHEET No. DS2298	DRAWN <i>Daniel Cetnik</i> 05/10/2011 MODIFIED <i>Lewis O'Neil</i> 18/06/2018 MECH' CHECK <i>Nicholas Avery</i> 18/06/2018 ELEC' CHECK <i>Jeff Dando</i> 18/06/2018