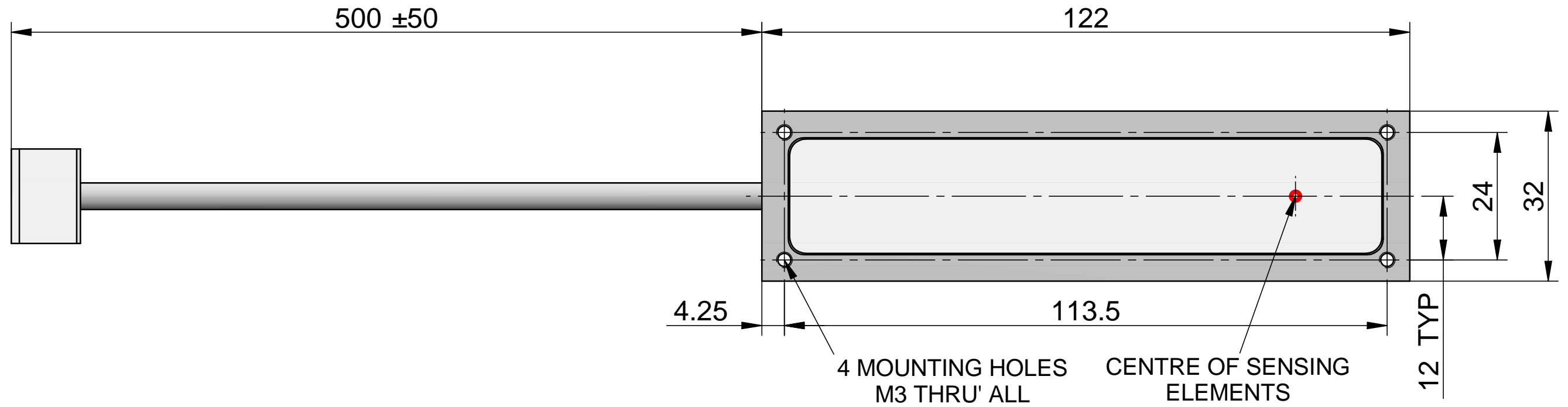
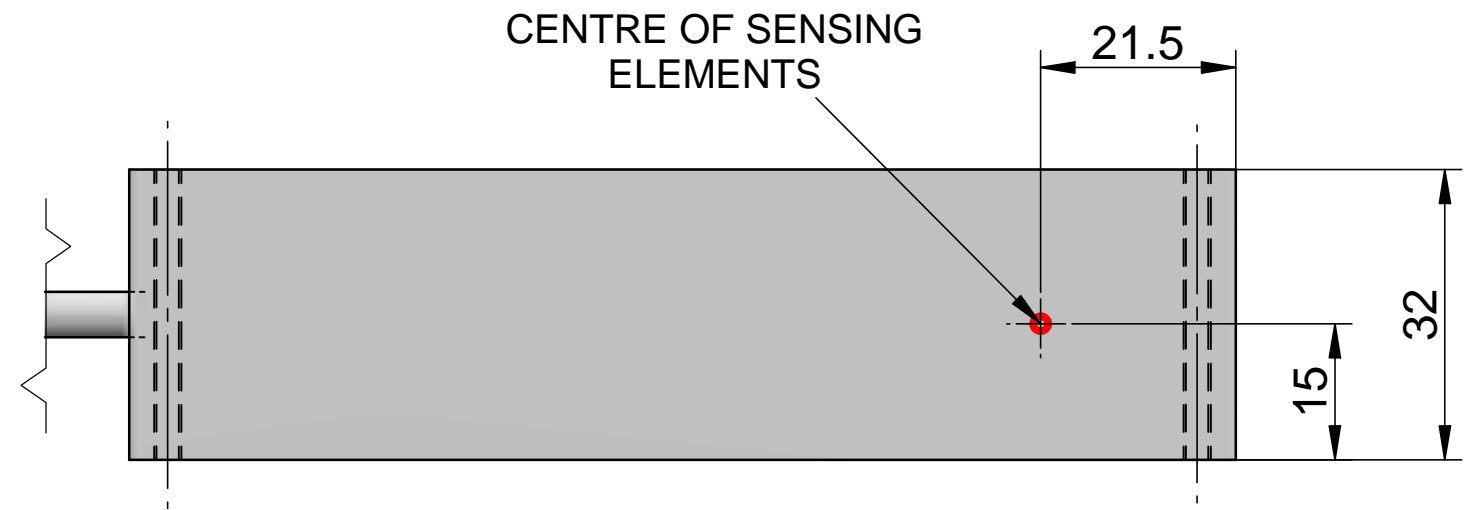


DCN NUMBER



**CONNECTIONS**

PIN No.	MAG690-MX
1	Vx
2	Vy
3	Vz
4	SIG GND
5	PWR GND
6	V+
7	V-



**Bartington**  
Instruments

COPYRIGHT: THIS DRAWING AND THE INFORMATION CONTAINED THEREIN IS CONFIDENTIAL AND MUST NOT BE REPRODUCED, COPIED OR USED FOR ANY PURPOSE WHATSOEVER WITHOUT THE PRIOR PERMISSION OF BARTINGTON INSTRUMENTS LTD.

THIRD ANGLE PROJECTION	
UNTOLERANCED:	
DIMENSIONS	±0.1
ANGLES	±0.5
MATERIAL	

DIMENSIONS IN mm	DO NOT SCALE
ORIGINAL SCALE	NTS
SURFACE TEXTURE	µm
PROTECTIVE FINISH:	

CHECKED  
  
  
  
DRAWN  
**Daniel Cetnik**

CONFIDENTIALITY	USED ON PM2689	PROJECT No D690
TITLE	DATE DRAWN 27/07/2011	DATE MODIFIED 26/08/2011
<b>Mag690-MX Outline Drawing</b>	DRAWING No <b>DR2690</b>	ISSUE 1

SEE DCN NUMBER FOR DESIGN CHANGE HISTORY