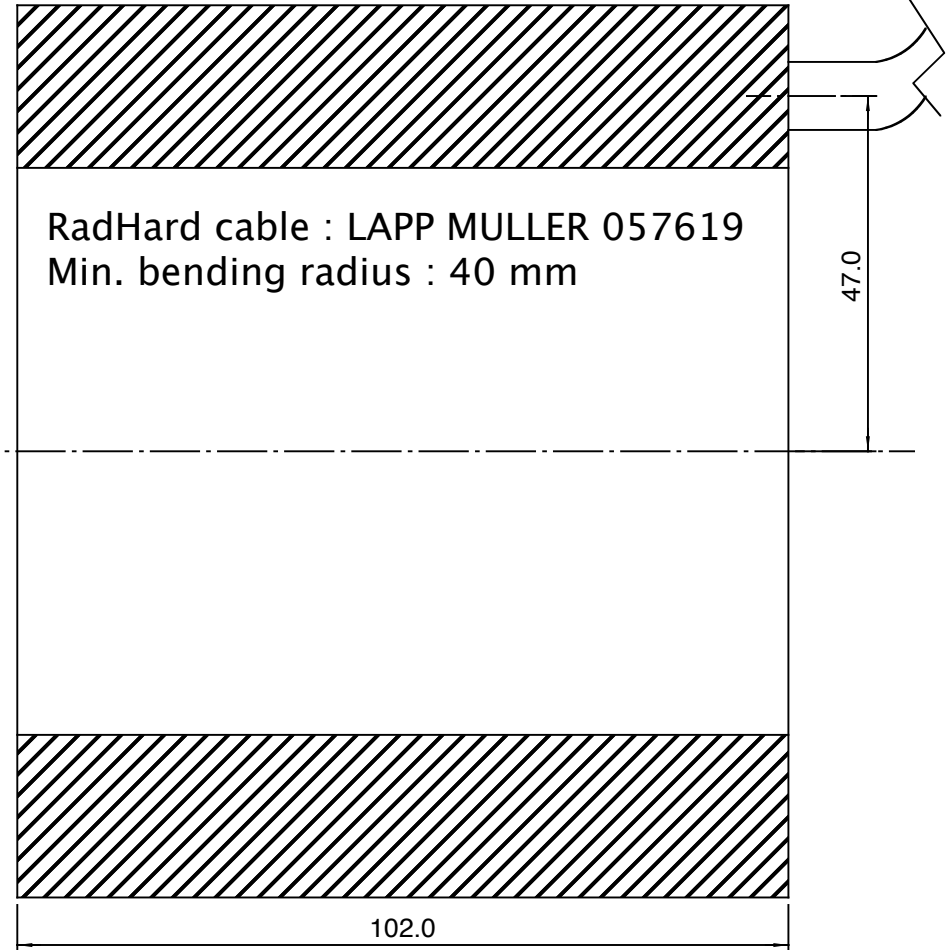
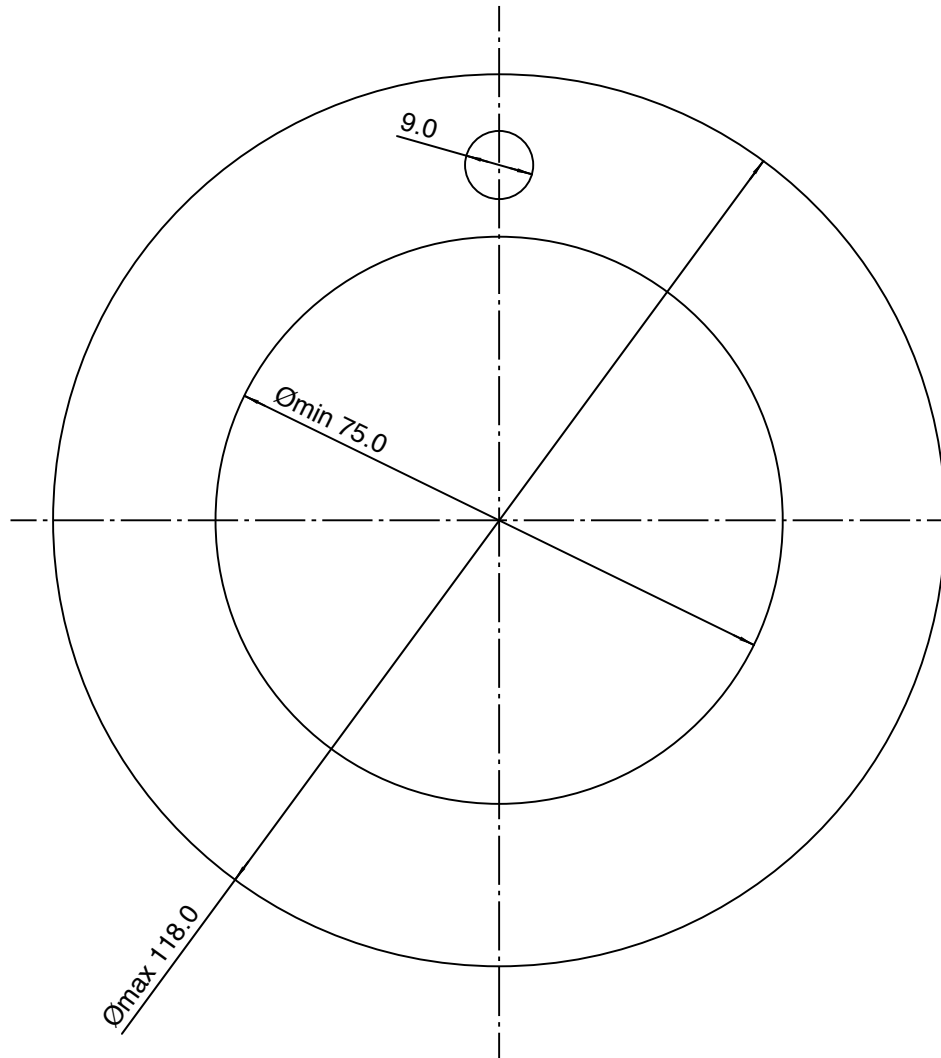


# A-A



Dimensions in millimeters

## NPCT-75-H

Scale: 1:1

Format: A4

	Drawn by	Date	Modifications
	H. Bayle	Dec. 14, 2010	Drawing publishing
BERGOZ Instrumentation ©1981-2010			