

1
SECURITY CLASSIFICATION

2

3

4

5

6

7

8

DO NOT SCALE

FOR EXPLANATION OF DIMENSIONING ETC. REFER TO BS308

A

B

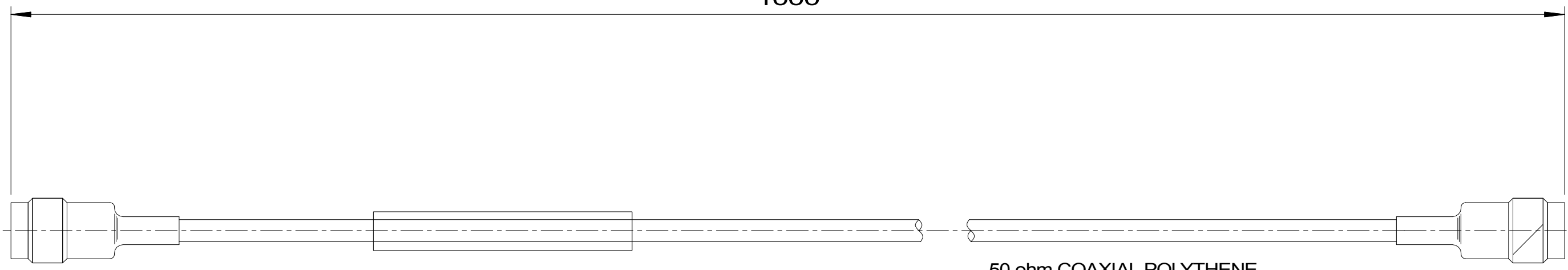
C

D

E

A
3

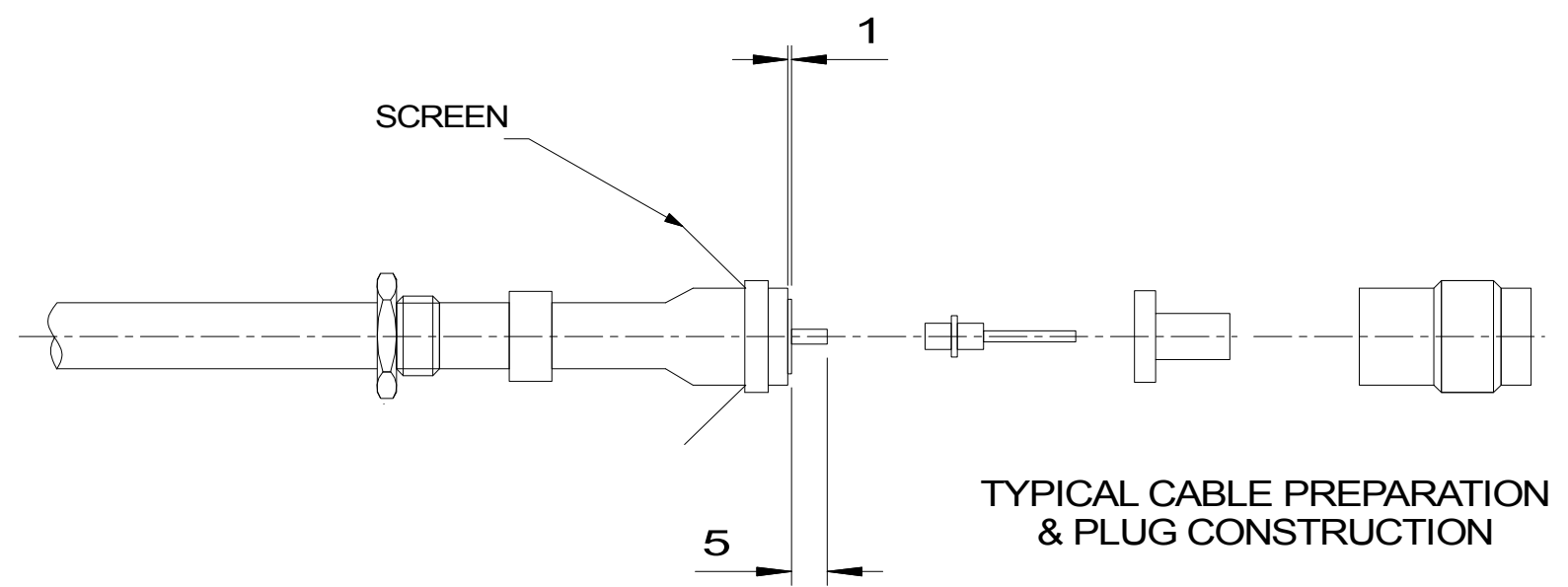
1000



TNC CONNECTOR

50 ohm COAXIAL POLYTHENE
CABLE RG85/CU

TNC CONNECTOR



TYPICAL CABLE PREPARATION
& PLUG CONSTRUCTION

Bartington
instruments

COPYRIGHT: THIS DRAWING AND THE INFORMATION CONTAINED THEREIN IS CONFIDENTIAL AND MUST NOT BE REPRODUCED, COPIED OR USED FOR ANY PURPOSE WHATSOEVER WITHOUT THE PRIOR PERMISSION OF BARTINGTON INSTRUMENTS LTD.

THIRD ANGLE PROJECTION

UNTOLERANCED DIMENSIONS ± 0.3
ANGLES $\pm E$

MATERIAL
SEE ABOVE

DIMS IN mm

SCALE 1=1

SURFACE TEXTURE 1.6 \sqrt{m}

PROTECTIVE FINISH

CHECKED

DRAWN

CUSTOMER

TITLE

TNC-TNC CABLE

USED ON
OM0408

ISSUE
1

DRAWING No.

PROJECT No.

SEE AMENDMENT RECORD FOR CHANGE HISTORY

DR0645