

TNG3DTM002a - Grounding of Group3 Digital Teslameters

Caution: The following procedure requires working with and around high voltages. Please exercise extreme caution when doing so, or refer to a qualified person to do the work for you.

For proper grounding and transient protection of the Group3 DTM, please refer the drawing number 11901610 and follow the steps outlined below.

Items required:

1. DTM & Probe with shielded cable
2. Ferrite Kit, P/N 11000036 (ferrite for probe cable and DTM power input cable)
3. DTM Ground Wire; 1.5mm(16AWG) minimum, length as required
4. Power Supply Ground Wire; 1.5mm(16AWG) minimum, length as required
5. Power Supply, P/N 21000010
6. AC Power Cord
7. Optional: Fiber optic cables for RS-232 interface

DTM and Power Supply:

1. Remove the chassis screw on the DTM nearest the power input socket.
2. Remove the paint from the area around the screw that you have just removed.
3. Attach the DTM ground wire to the DTM using the chassis screw. Connect the other end to the rack or system chassis ground point near the DTM
4. Install the power supply as close as possible to the DTM.
5. Trim the DTM power input cable as short as possible and connect it to the power supply. Connect the other end to the DTM.
6. Attach one end of the power supply ground wire to the AC input ground terminal, and the other end to the SAME rack or system chassis ground point as the DTM.
7. Attach the AC power cord to the power supply.
8. Connect the fiber optic cables if required

Probe:

1. Install the clip-on ferrite supplied in the ferrite kit to the probe cable, as close as possible to the probe personality plug as shown.
2. Connect the probe to the DTM.

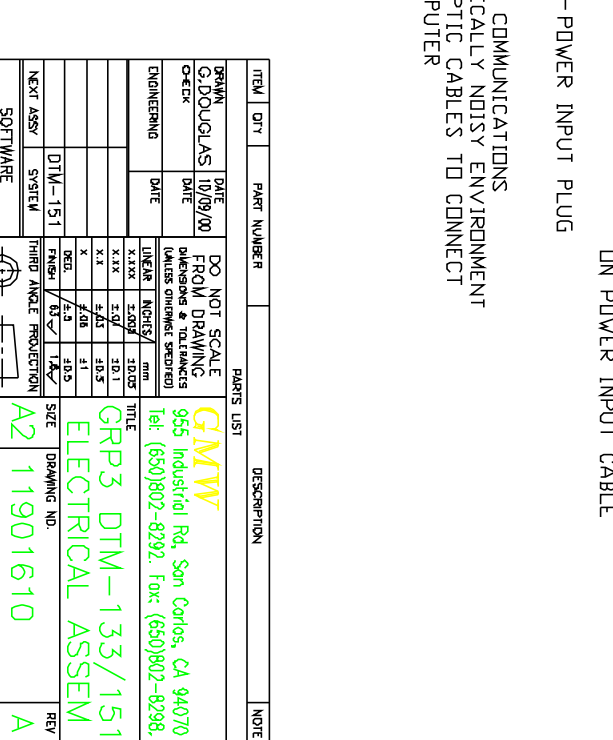
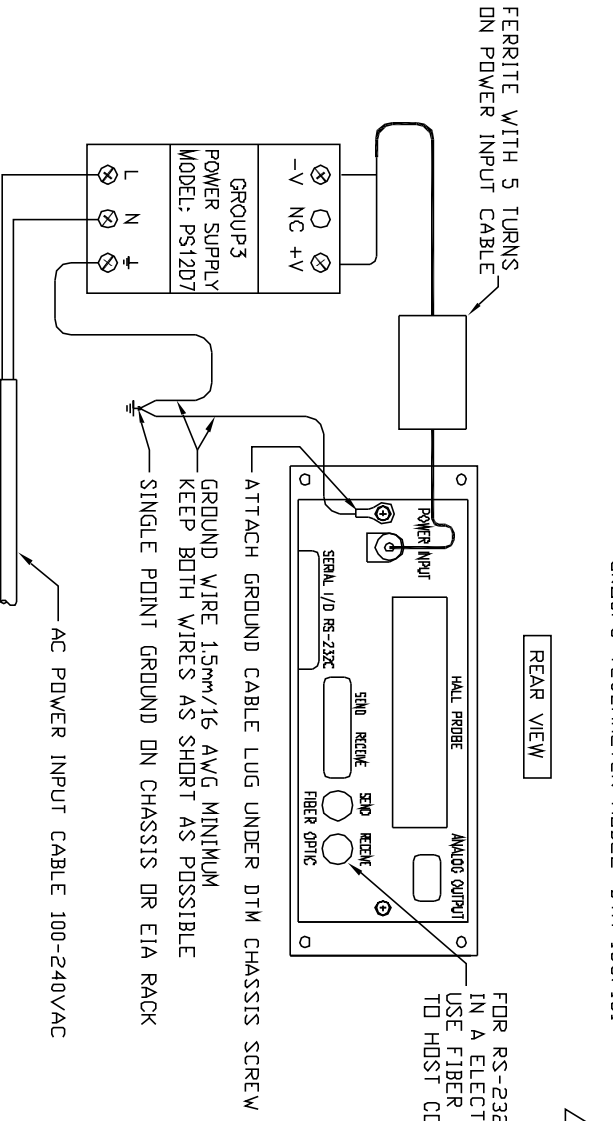
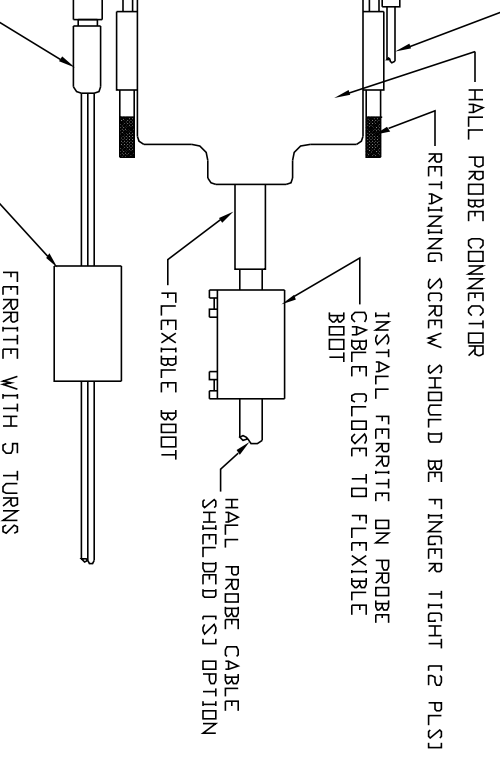
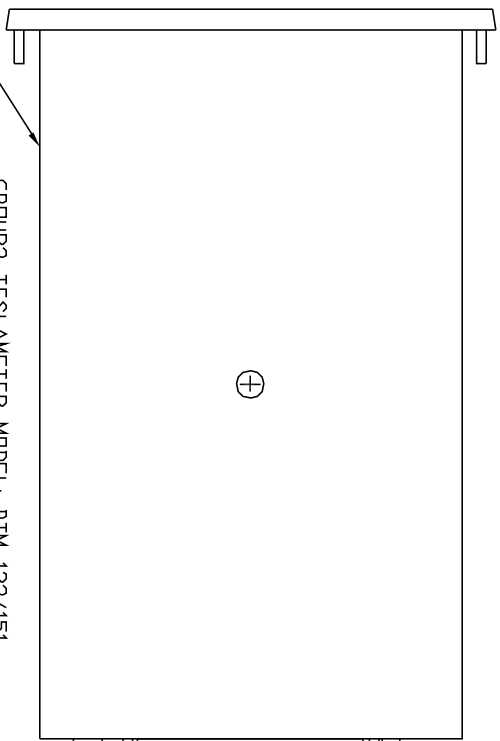
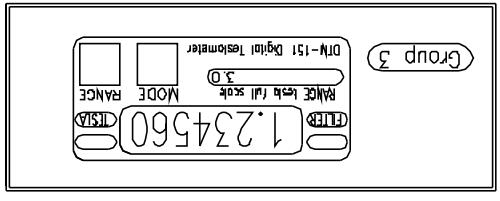
If you have any questions, please feel free to contact GMW Technical Support at:

Tel: (650) 802-8292 Ext. 18

Fax: (650) 802-8298

E-mail: greg@gmw.com

PROPRIETARY
 THIS DRAWING CONTAINS CONFIDENTIAL INFORMATION
 PROPRIETARY TO CDM, INC. IT MUST NOT BE
 REPRODUCED OR DISCLOSED TO OTHERS OR SOLD, AMENDED,
 COPIED, OR IN ANY MANNER MADE AVAILABLE TO OTHERS
 WITHOUT THE WRITTEN CONSENT OF CDM, INC.



REV	DESCRIPTION	DRAWN	DATE	APPROVED
A	RELEASE		10/09/00	G.DOUGLAS

REVISIONS	
1	

ITEM	QTY	PART NUMBER	DESCRIPTION	NOTE																																													
<table border="1"> <tr> <td>BRN</td> <td>DATE</td> <td>DO NOT SCALE FROM DRAWING</td> <td></td> <td></td> </tr> <tr> <td>G.DOUGLAS</td> <td>10/09/00</td> <td>DATE</td> <td></td> <td></td> </tr> <tr> <td>ENGR</td> <td>DATE</td> <td>LINEAR</td> <td>NOTES</td> <td></td> </tr> <tr> <td></td> <td></td> <td>X.XXX</td> <td>3.000</td> <td>20.00</td> </tr> <tr> <td></td> <td></td> <td>X.X</td> <td>3.0</td> <td>20.1</td> </tr> <tr> <td></td> <td></td> <td>X.X</td> <td>3.0</td> <td>20.5</td> </tr> <tr> <td></td> <td></td> <td>X</td> <td>3.0</td> <td>21</td> </tr> <tr> <td></td> <td></td> <td>DEG.</td> <td>3.0</td> <td>20.5</td> </tr> <tr> <td></td> <td></td> <td>FINISH</td> <td>3.0</td> <td>20.5</td> </tr> </table>					BRN	DATE	DO NOT SCALE FROM DRAWING			G.DOUGLAS	10/09/00	DATE			ENGR	DATE	LINEAR	NOTES				X.XXX	3.000	20.00			X.X	3.0	20.1			X.X	3.0	20.5			X	3.0	21			DEG.	3.0	20.5			FINISH	3.0	20.5
BRN	DATE	DO NOT SCALE FROM DRAWING																																															
G.DOUGLAS	10/09/00	DATE																																															
ENGR	DATE	LINEAR	NOTES																																														
		X.XXX	3.000	20.00																																													
		X.X	3.0	20.1																																													
		X.X	3.0	20.5																																													
		X	3.0	21																																													
		DEG.	3.0	20.5																																													
		FINISH	3.0	20.5																																													
<table border="1"> <tr> <td>SOFTWARE</td> <td>SYSTEM</td> <td>THIRD ANGLE PROJECTION</td> <td></td> <td></td> </tr> <tr> <td>AUTOCAD 13</td> <td>DTM-151</td> <td>1:1</td> <td></td> <td></td> </tr> </table>					SOFTWARE	SYSTEM	THIRD ANGLE PROJECTION			AUTOCAD 13	DTM-151	1:1																																					
SOFTWARE	SYSTEM	THIRD ANGLE PROJECTION																																															
AUTOCAD 13	DTM-151	1:1																																															
<p>GMW 955 Industrial Rd, San Carlos, CA 94070 Tel: (650)802-8292, Fax: (650)802-8298</p>																																																	
<p>GRP3 DTM-133/151 ELECTRICAL ASSEM</p>																																																	
<p>SIZE: A2 DRAWING NO.: 11901610 REV: A</p>																																																	
<p>SCALE: 1:1 WT: kg SHEET 1 OF 1</p>																																																	