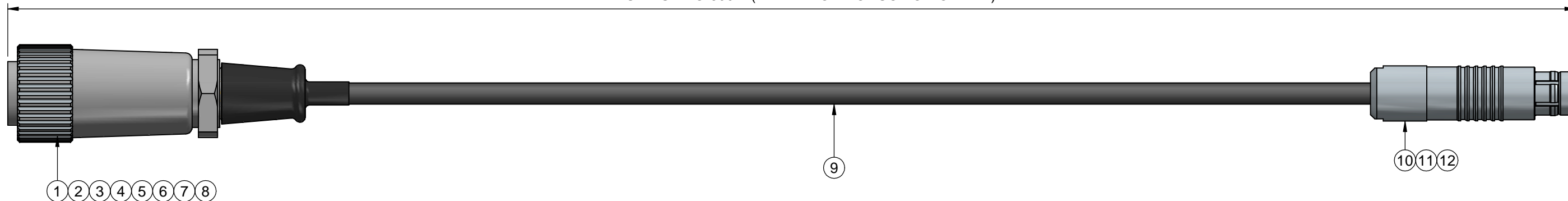


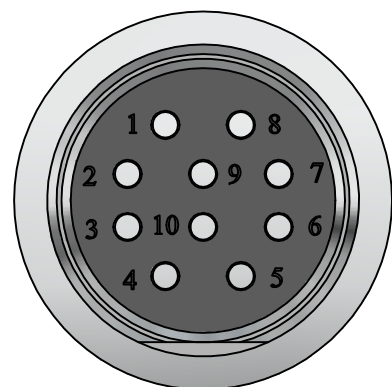
LENGTH UP TO 600M (REFER TO PRODUCTION ORDER)



1 2 3 4 5 6 7 8

9

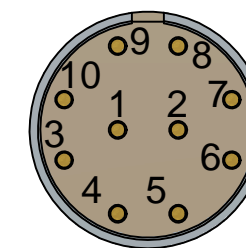
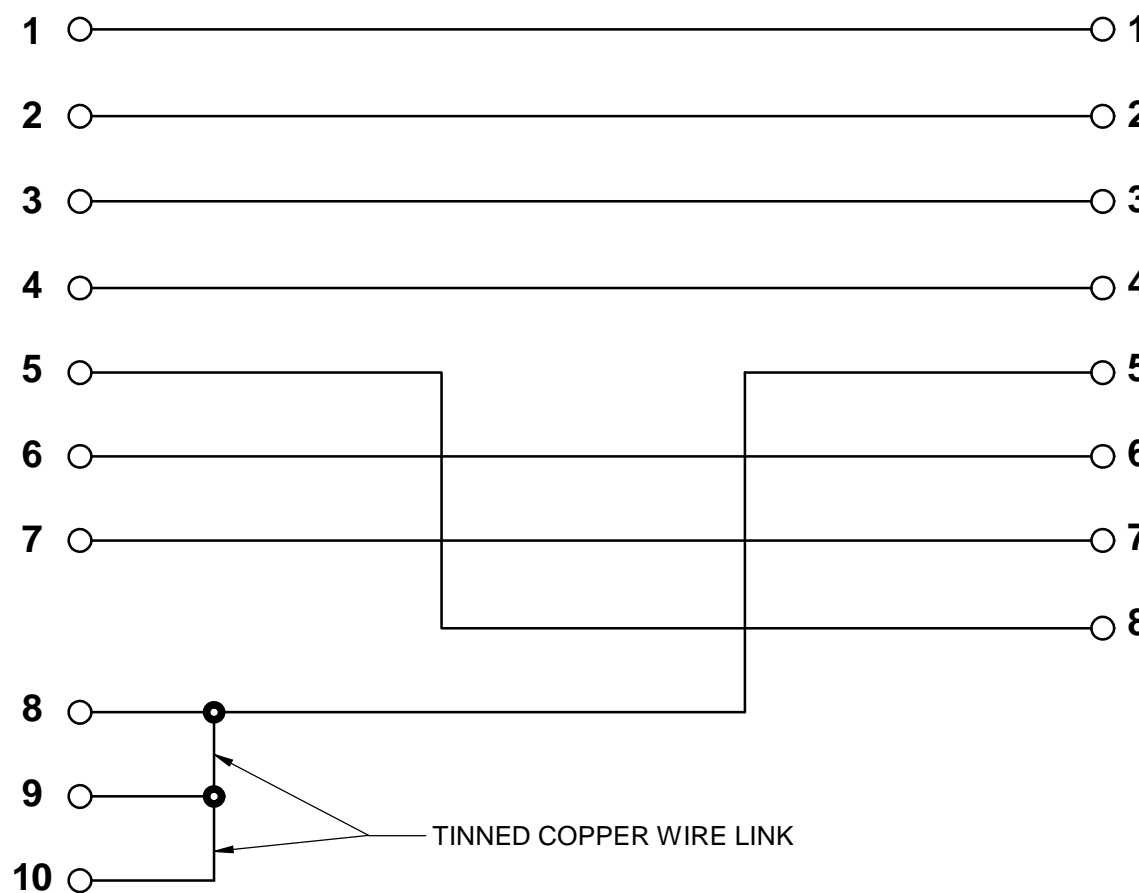
10 11 12



SOLDER BUCKET VIEW

HIROSE - RM15TPD10S

| CABLE COLOUR | PIN No. | FUNCTION |
|--------------|-----------|-------------|
| BLUE | 1 | X OUT |
| YELLOW | 2 | Y OUT |
| WHITE | 3 | Z OUT |
| GREEN | 4 | PGND |
| VIOLET | 5 | TEST |
| RED | 6 | +12V SUPPLY |
| BLACK | 7 | -12V SUPPLY |
| BROWN | 8, 9, 10* | SGND |



SOLDER BUCKET VIEW

FISCHER - AL-2211-S-1031-A010-SR-11-11

| CABLE COLOUR | PIN No. | FUNCTION |
|--------------|---------|-------------|
| BLUE | 1 | X OUT |
| YELLOW | 2 | Y OUT |
| WHITE | 3 | Z OUT |
| BROWN | 4 | PGND |
| GREEN | 5 | SGND |
| RED | 6 | +12V SUPPLY |
| BLACK | 7 | -12V SUPPLY |
| VIOLET | 8 | TC |
| N.C. | 9 & 10 | |

* PINS 8, 9 AND 10 INTERNALLY CONNECTED TOGETHER IN THE CONNECTOR

| | | | | | |
|--|--|---|--|---------------------------------|---|
| <p>COPYRIGHT: THIS DRAWING AND THE INFORMATION CONTAINED THEREIN IS CONFIDENTIAL AND MUST NOT BE REPRODUCED, COPIED OR USED FOR ANY PURPOSE WHATSOEVER WITHOUT THE PRIOR PERMISSION OF BARTINGTON INSTRUMENTS LTD.</p> | <p>DIMENSIONS ARE IN MILLIMETERS REMOVE ALL SHARP EDGES & BURRS</p> | <p>TITLE</p> <p>Mag-13MS & MC Cable Assembly</p> | <p>USED ON</p> <p>Mag-13</p> | <p>PROJECT No</p> <p>D1309</p> | |
| | <p>THIRD ANGLE PROJECTION</p> | | <p>DRAWN</p> <p>M. Khaled</p> | <p>19/11/2013</p> | |
| | <p>TOLERANCES FOR MACHINING: (UNLESS OTHERWISE SPECIFIED)</p> <p>LINEAR: ANGULAR:</p> <p>XX ±0.3mm XX ±0.5°</p> <p>XX.X ±0.1mm XX.X ±0.1°</p> <p>XX.XX ±0.05mm XX.XX ±0.05°</p> | <p>MATERIAL</p> <p>PL3377</p> | <p>SAGE/PART No</p> <p>SC-03-10-7178/xxm</p> | <p>CHECKED</p> <p>A. Lazaro</p> | <p>08/12/2014</p> |
| | <p>SURFACE TEXTURE</p> <p>µm</p> | <p>MATERIAL FINISH</p> | <p>DRAWING No</p> <p>DR3377</p> | <p>ISSUE</p> <p>5</p> | <p>SEE DCN NUMBER FOR DESIGN CHANGE HISTORY</p> |