

# Ametes Three Channel Current Monitor, CM-25A-3CSA-PSW

The CM-25A-3CSA-PSW provides isolated voltage signal outputs for DC or AC currents in three primary current channels. This option also provides 3 switched sourcing outputs indicating the presence of 50-60Hz AC Currents greater than  $0.85A_{AC}$  (typical).

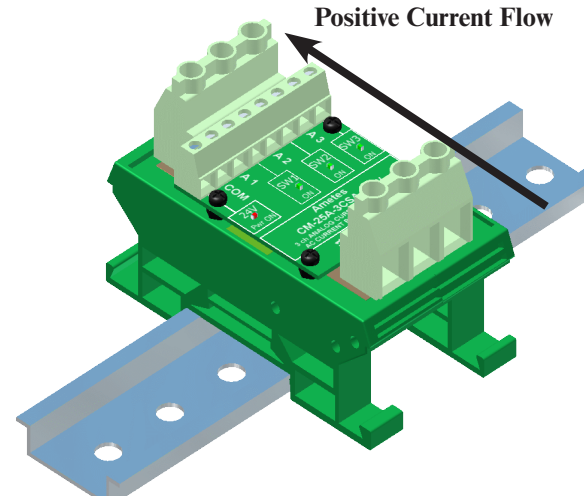
The CM-25A-3CSA-PSW current monitor consists of two stacked PCBs mounted in a standard DIN Rail package. The lower PCB has the three current conducting traces on the top side with a magnetic shield on the bottom side. The mezzanine PCB includes three CSA-1VG sensors positioned over the center of the three traces located on the lower PCB to detect the current flowing in the three conductors. It also includes the specific output circuitry for AC current level detection and provides 3 sourcing switched outputs. There is  $5kV_{rms}$  isolation between the primary current conductors and the sensor electronic circuitry.

## Features

- Three 0-25A Primary Current Channels
- Three Analog Output of Primary AC & DC Current
- Three Discrete Switched Sourcing Outputs for  $I_{PRI} > 0.85A_{AC}$
- High Dielectric Isolation  $> 5kV_{rms}$

## Specifications - Electrical CH1, CH2 & CH3

Symbol	Parameter	Current Monitor Analog Outputs	Switched Outputs SW1, SW2, SW3	Units
$I_{PN}$	Primary Current, nominal continuous	25	25	$A_{rms}$
$I_{PM}$	Primary Current, max peak	32	32	A
$V_{PRI}$	Maximum Primary Voltage (peak)	1000	1000	V
$S_A$	Analog Output Sensitivity of Primary Current	40 to 50		mV/A
$V_O$	Analog Output Voltage Range	$2.5 \pm 2.0$		V
$V_{OS}$	Quiescent Voltage, $I_{pri} = 0A$	$2.5 \pm 0.05$		V
X	Accuracy, DC to 60Hz	<10		%
$X_L$	Non Linearity, $I < 25A_{rms}$ , 60Hz	<1		%
$TC_{V_o}$	Temperature Coefficient, Offset Voltage	<0.2		mV/°C
$TC_{V_s}$	Temperature Coefficient, Sensitivity	<200		ppm/°C
r	Resolution, Primary Current	25		mA
$V_{SUP}$	Supply Voltage	20 to 30		$V_{DC}$
$I_{SUP}$	Supply Current Draw Max (Excluding output loads)	40		mA
$V_D$	Voltage for AC Isolation Test	5		$kV_{rms}$
$BW_{VO}$	Bandwidth Analog Output	DC to 75k		Hz
$I_{SW}$	50-60Hz AC Current Switch Level (Output Turns On)	N/A	0.5 to 1.5	$I_{AC}$
$I_{OUT}$	Max Load Current (Sourcing from Supply Voltage)	N/A	50	mA
$I_{OUT-OFF}$	Max Leakage current in OFF state	N/A	<20	$\mu A$
$TD_{ON}$	Turn ON Response Time (after AC current is detected)	N/A	25 to 100	ms
$TD_{OFF}$	Turn OFF Response Time	N/A	50 to 500	ms



CM-25A-3CSA-PSW shown on a 35mm DIN Rail

- Power ON LED (Red)
- Current Present LED (3 each Green LEDs)
- 20 to 30VDC Supply Voltage

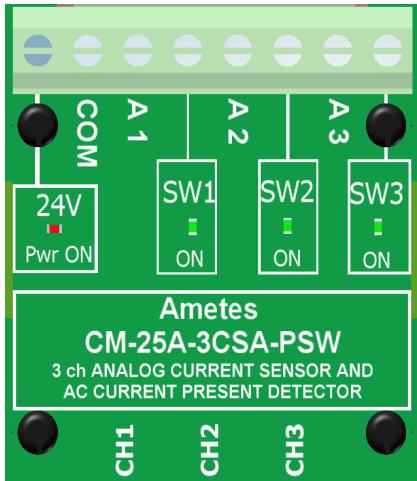
Revision Date: 19 FEB 2010

## North American Distributor:

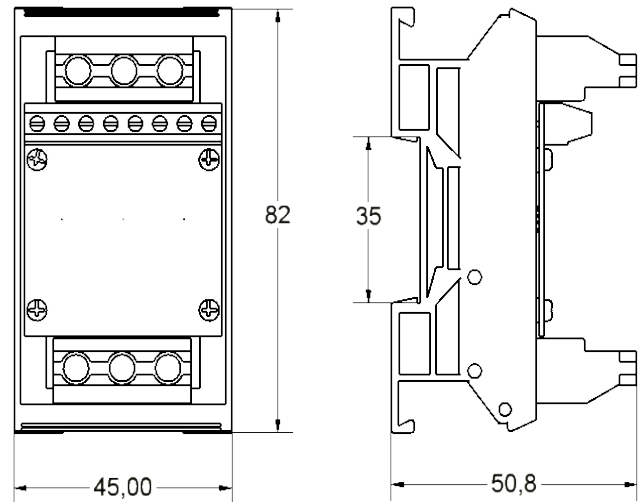
GMW Associates • 955 Industrial Road • San Carlos, CA 94070 • USA  
Tel +1 (650) 802-8292 • Fax +1 (650) 802-8298 • sales@gmw.com • www.gmw.com

# Ametes Three Channel Current Monitor, CM-25A-3CSA-PSW

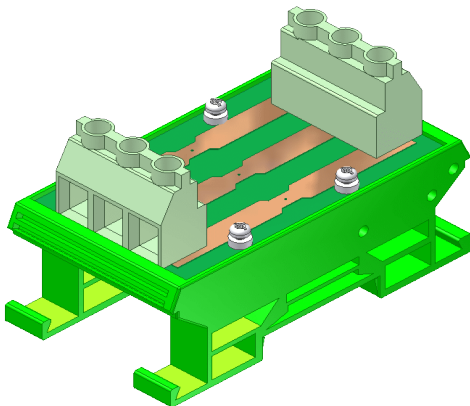
Symbol	Parameter	Current Monitor Analog Outputs	Switched Outputs SW1, SW2, SW3	Units
$T_A$	Ambient Operating Temperature	-40 to 85	-40 to 85	°C
$T_s$	Ambient Storage Temperature	-40 to 85	-40 to 85	°C



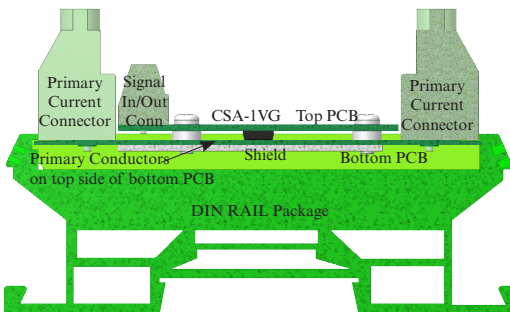
Mezzanine PCB front Panel Layout



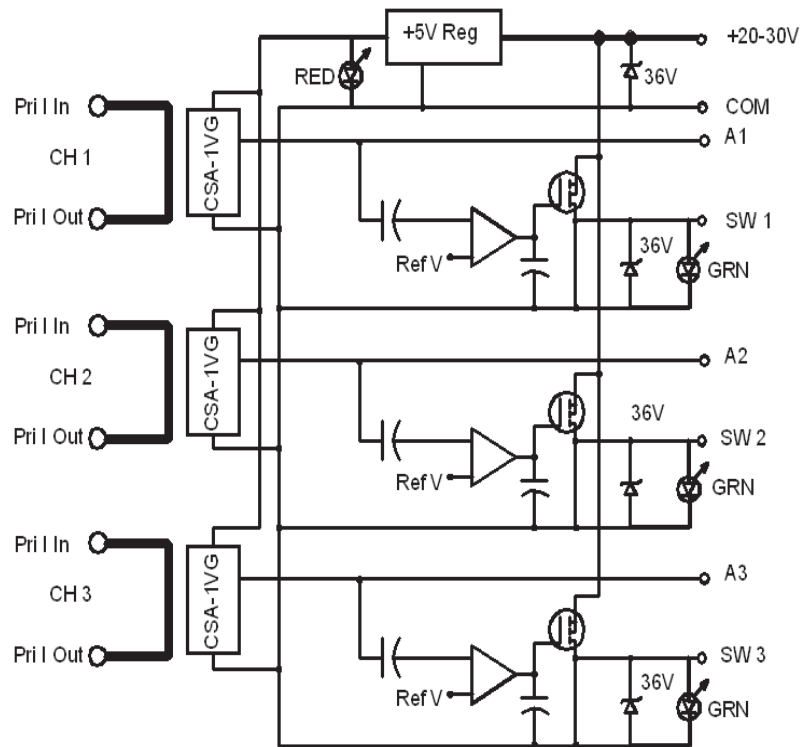
CM-25A-3CSA-PSW Outline Drawing, dimensions in mm



CM-25A-3CSA-PSW with top PCB removed to show primary current conductors



Cutaway side view of CM-25A-3CSA-PSW



CM-25A-3CSA\_PSW Block Diagram

Revision Date: 19 FEB 2010