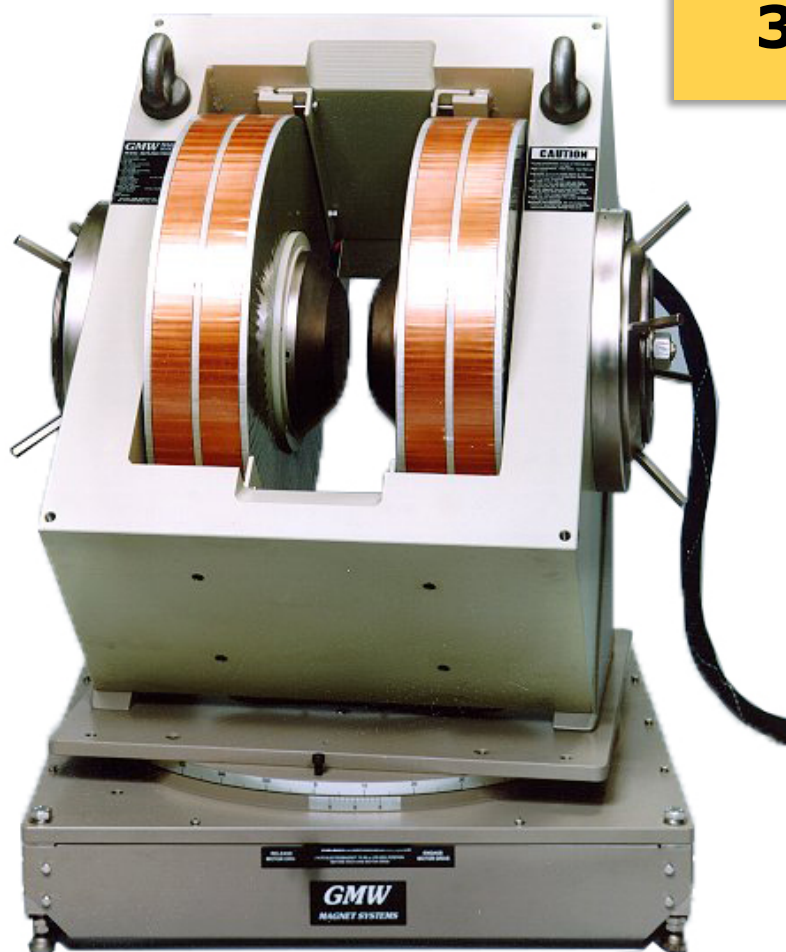


3474 Electromagnet



OVERVIEW

The **3474** Dipole Electromagnet accepts a range of pole caps with face diameters up to 250mm and has a pole gap that may be manually adjusted from 0 to 160mm. The 3474 is recommended when high fields and or high uniformity are needed. Available options include mount orientation, motorized rotation, zero field Bias Coils, field modulation coils, and precision pole gap spacing.

Features

- Adjustable Pole Gap
- Wide Variety of Pole Caps
- Air or Water Cooled
- Any Mounting Orientation

Applications

- Hall Effect Studies
- Magneto-Optical Studies
- Laboratory Experiments
- Magnetic Separation Experiments
- Magnetic Alignment of Small Components
- Chemical Reaction Rate Studies
- Calibration of Hall-Effect Probes

GMW Associates

🌐 www.gmw.com

✉ sales@gmw.com

☎ +1-650-802-8292

📍 955 Industrial Road
San Carlos, California, USA

Model 3474 General Specifications

Mechanical

Pole Diameter	250mm
Standard Pole Caps	25, 50, 75, 100, 150, 200 & 250mm
Pole Gap	0 to 160mm
Dimensions (mm)	920mm W x 636mm D x 864mm H
Weight	1800kg

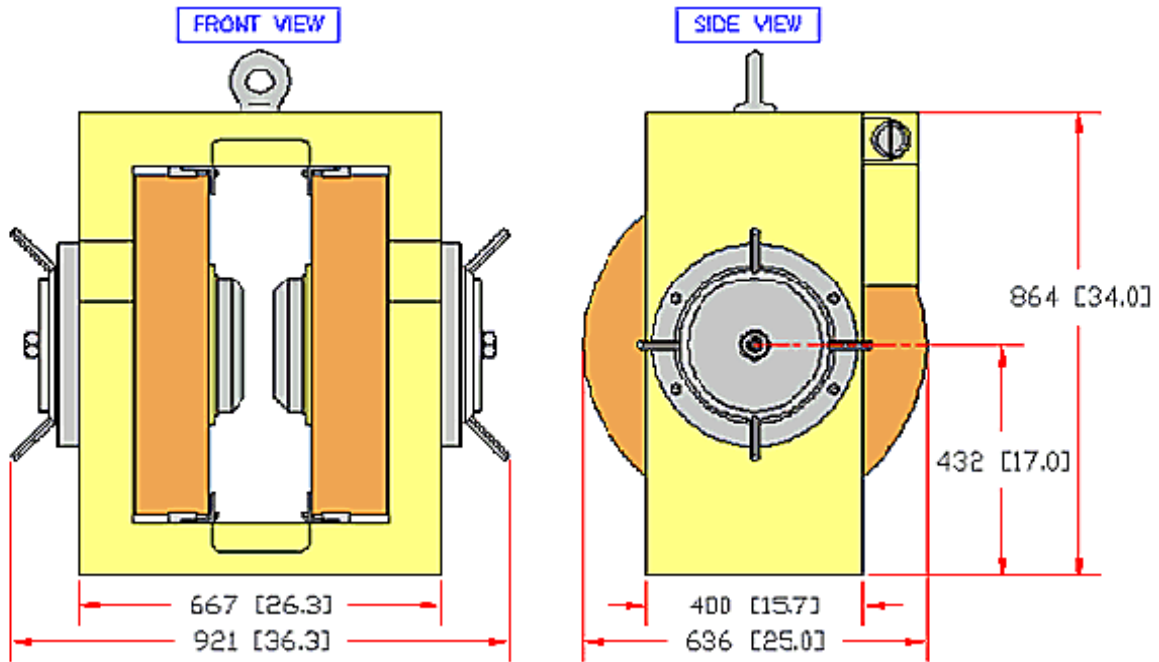
Coils (series connected)

Resistance (20°C)	0.44Ω
Max Resistance	0.54Ω
Low Current Inductance	0.87H
High Current Inductance	0.7H
Max Continuous Power (air)	40Amps, 22Volts (0.88kW)
Max Continuous Power (water)	140Amps, 76Volts (10.6kW)
Water Cooling	15liters/min, 2.0bar (4.0US GPM, 30psid)

Safety

Overtemperature Interlock	Selco 802L-065 thermostat, mounted onto each cooling plate, wired in series. Contacts below 65°C
Water Flow	Johnson Controls flow switch F61KB-11C mounted on outlet side of water circuit. Contacts open with a flow of less than 10liters/min.
Maximum Absolute Pressure:	10bar (150psid)
Diameter Sphere Containing 5G-surface ("fringe field")	2250mm

General Assembly – 3474



Performance

Fields at maximum continuous current of 140 Amps

