

Ultra-stable, high precision (ppm class) fluxgate technology DM Series current transducer for non-intrusive, isolated DC and AC current measurement up to 1800A



Features

Ø45mm aperture enabling large isolated cables and the possibility to measure leakage current at high precision.

15 ppm linearity

10 ppm offset

1V output

Fluxgate, closed loop compensated technology with crystal driven excitation frequency for increased stability

Industry standard DSUB 9 pin connection

Full aluminum body for superior EMI shielding and extended operating temperature range

Applications

Power measurement and power analysis

Stable power supplies

MPS for particles accelerators

Gradient amplifiers for MRI devices

Precision drives

Batteries testing and evaluation systems

Current calibration purposes

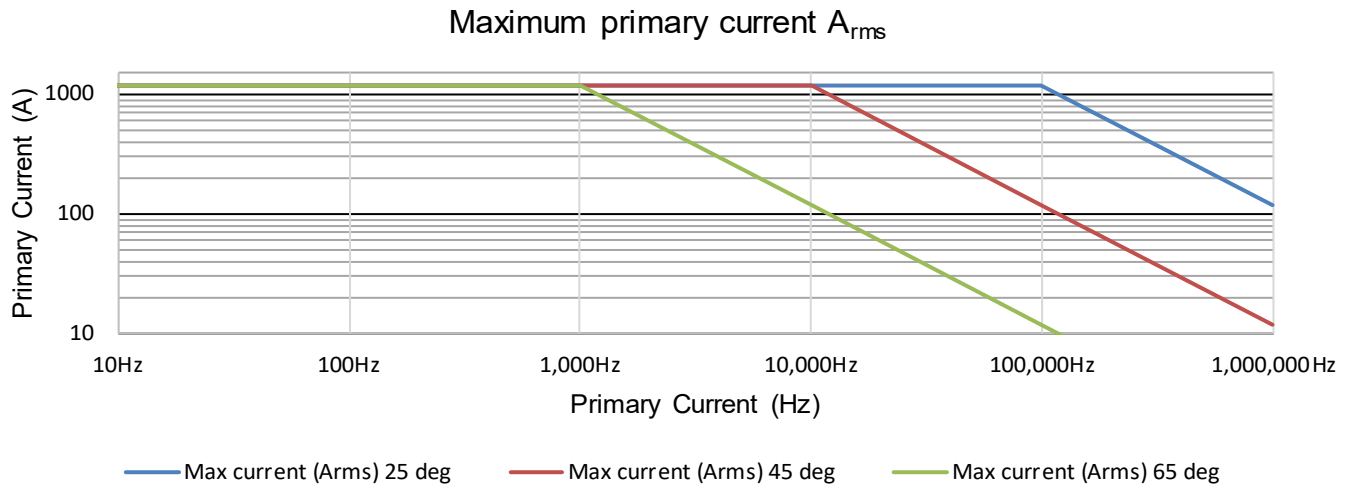
Specification highlights	Symbol	Unit	Min	Typ.	Max
Nominal primary AC current	$I_{PN AC}$	Arms			1200
Nominal primary DC current	$I_{PN DC}$	A	-1200		1200
Nominal output voltage	V_{out}	V	-1		1
Measuring range	I_{PM}	A	-1800		1800
Primary / secondary ratio		V/kA	0.8333		0.8333
Linearity error (Best fit)	ϵ_L	ppm	-15		15
Offset Voltage (including earth field)	V_{OE}	ppm	-10		10
Ratio error	ϵ_C	ppm	-10		10
DC-10Hz Overall accuracy @25°C ($=V_{OE}+\epsilon_L + I_{OE}$)	$acc\epsilon$	ppm	-35		35
AC Maximum gain error 10Hz to 1kHz					100ppm(0.01%)
Bandwidth (3dB)	f_{3dB}	kHz	400		
Operating temperature range	T_a	°C	-40		65
Power supply voltages	U_c	V	±14.25		±15.75

All ppm (or %) values refer to nominal current

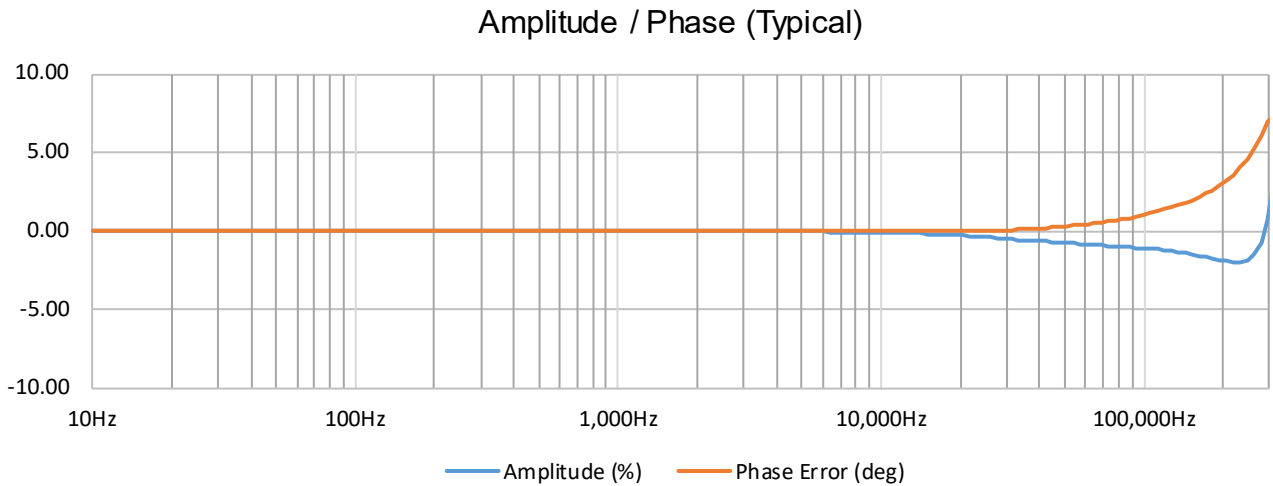
Electrical specifications at Ta=23°C, supply voltage = ± 15V unless otherwise stated

Parameter	Symbol	Unit	Min	Typ.	Max	Comment
Nominal primary AC current	$I_{PN AC}$	Arms			1200	Refer to fig. 2 for derating
Nominal primary DC current	$I_{PN DC}$	A	-1200		1200	
Measuring range	I_{PM}	A	-1800		1800	Refer to fig. 2 for derating
Overload capacity	\hat{I}_{OL}	A			1500	Non-measured, 100ms
Nominal voltage output	V_O	V	-1		1	At nominal primary DC current
Primary / secondary ratio		V/kA	0.8333		0.8333	
Linearity error	ϵ_L	ppm	-15		15	ppm refers to nominal current
Bandwidth (3dB)	f_{3dB}	kHz	400			Small signal, graphs figure 3
Response time to a step current IPN	$tr@90\%$	μs		1		$di/dt = 100A/\mu s$
Amplitude error	ϵ_G	%			0.01	% refers to nominal current
10Hz–3kHz					1.00	
3kHz-50kHz					20.00	
Amplitude error	ϵ_G	%			0.01	% refers to nominal current
10Hz–3kHz					0.50	
3kHz-50kHz					10.00	
Amplitude error	ϵ_G	%			0.01	% refers to nominal current
10Hz–3kHz					0.50	
3kHz-50kHz					10.00	
Phase shift	θ	°			0.01	
10Hz–3kHz					0.50	
3kHz-50kHz					10.00	
Phase shift	θ	°			0.01	
10Hz–3kHz					0.50	
3kHz-50kHz					10.00	
Noise	noise	ppm rms			0.15	
0 - 100Hz					0.2	
0 - 1kHz					0.3	
0 - 10kHz					2	
Noise	noise	ppm p-p			0.8	
0 - 100Hz					1	
0 - 1kHz					1.7	
0 - 10kHz					8	
Noise	noise	ppm p-p			0.8	
0 - 100Hz					1	
0 - 1kHz					1.7	
0 - 10kHz					8	
Fluxgate excitation frequency	f_{Exc}	kHz		31.25		
Power supply voltages	U_c	V	±14.25		±15.75	
Positive current consumption	I_{ps}	mA	135	140	145	Add $V_o \cdot 0.8$ (A)
Negative current consumption	I_{ns}	mA	120	130	135	Add $V_o \cdot 0.8$ (A)
Operating temperature range	T_a	°C	-40		65	
Offset error						
Initial	V_{OE}	ppm	-10		10	ppm refers to nominal DC current
Versus temperature	TC_{VOE}	ppm/K	-0.1		0.1	ppm refers to nominal DC current
Versus time	$V_{OE}/time$	ppm/month	-0.3		0.3	ppm refers to nominal DC current
Versus supply voltage		ppm/V	-0.1		0.1	ppm refers to nominal DC current
Ratio Error						
Initial @23°C	ϵ_C	ppm	-10		10	ppm refers to primary current
Versus temperature	$TC\epsilon_C$	ppm/K	-1		1	ppm refers to primary current
Versus time	$\epsilon_C/time$	ppm/month	-3		3	ppm refers to primary current

Frequency and ambient temperature derating (Fig. 2)



Frequency characteristics (Fig. 3)



Isolation specifications

Parameter	Unit	Value
Clearance	mm	12
Creepage distance	mm	12
Comparative tracking index (CTI)		> 600
Rms voltage for AC isolation test, 50/60 Hz, 1 min - Between primary and (secondary and shield) - Between secondary and shield	kV	5.7 0.2
Impulse withstand voltage (1.2/50µs)	kV	10.4
Continuous working voltage with uninsulated wire <ul style="list-style-type: none"> • Non mains • CAT II (DC and rms) • CAT III (DC and rms) Insulated wire <ul style="list-style-type: none"> • Non mains • CAT II (DC and rms) • CAT III (DC and rms) 	V	1000 600 300 2000 1000 1000
Transient voltage with uninsulated wire <ul style="list-style-type: none"> • Non mains • CAT II • CAT III Insulated wire <ul style="list-style-type: none"> • Non mains • CAT II • CAT III 	V	4500 6000 6000 6000 6000 8000

Caution: Do not connect the transducer to signals or use for measurements within Measurement Category IV, or for measurements on MAINS circuits or on circuits derived from Overvoltage Category IV which may have transient overvoltages above what the product can withstand. The product must not be connected to circuits that have a maximum voltage above the continuous working voltage, relative to earth or to other channels, or this could damage and defeat the insulation. The product can only withstand transients up to the transient overvoltage rating without breakdown or damage to the insulation. An analysis of the working voltages, loop impedances, temporary overvoltages, and transient overvoltages in the system must be conducted prior to making measurements.



Caution: When using insulated wires all wiring must be insulated for the highest voltage used.



Absolute maximum ratings

Parameter	Unit	Max	Comment
Primary	kA	4.5	Maximum 100ms
Power supply	V	±16.5	

Environmental, safety and mechanical specifications

Parameter	Unit	Min	Typ	Max	Comment
Altitude	m			2000	
Usage					Designed for indoor use
Transient voltages					Up to overvoltage category III
Poution Degree				2	
Ambient operating temperature range	°C	-40		65	
Storage temperature range	°C	-40		65	
Relative humidity	%	20		80	Non-condensing
Mass	kg		2.0		
Connections	DSUB9 male and BNC connector				
Standards	IEC61010-2-30, IEC61326-1 EMC and EC61010-1:2010 3rd Edition				
External devices	External devices connected to current transducers must comply with the standards IEC61010-1, IEC60950 or IEC62368-1 and be energy-limited circuitry				
Cleaning	The transducer should only be cleaned with a damp cloth. No detergent or chemicals should be used.				
Temperature	<p>When multiple primary turns are used or high primary currents are applied the temperature around the transducer will increase, please monitor to ensure that the maximum ratings are not exceeded.</p> <p>It is recommended to have minimum 1mm² per ampere in the primary busbar.</p>				

Advanced Sensor Protection Circuits “ASPC”

Developed to protect the current transducer from typical fault conditions:

- Unit is un-powered and secondary circuit is open or closed
- Unit is powered and secondary circuit is open or interrupted

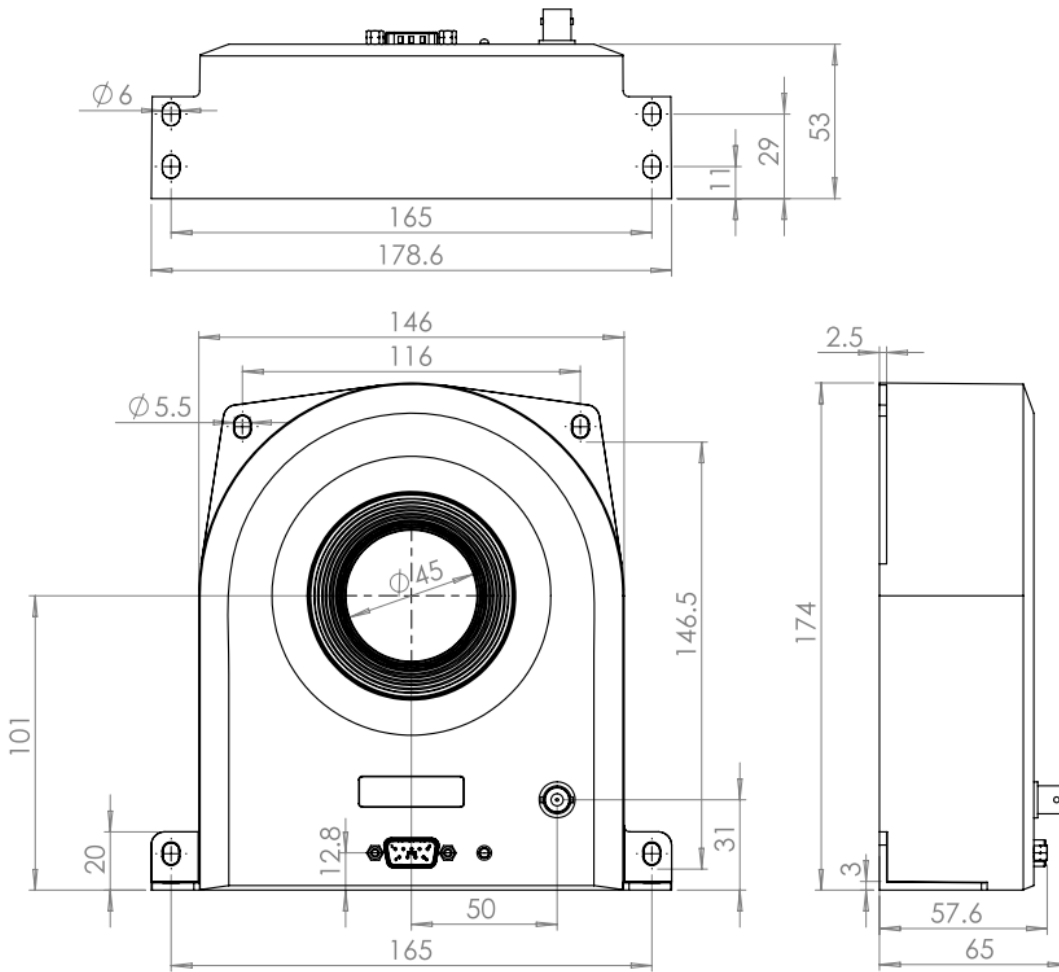
Both DC and AC primary current up to 100% of nominal value can be applied to the current transducers in the above situations without damage to the electronics.

Please notice that the transducer core can be magnetized in all above cases, leading to a small change in output offset current (less than 10ppm)

Accessories

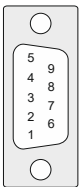
- 4-channel power supplies unit for connection up to 4xDM1200 : [DSSIU-4](#)
- 6-channel power supplies unit for connection up to 6xDM1200 : [DSSIU-6](#)
- Transducer cables in 5 lengths (2m - 5m - 10m - 15m - 20m): [DSUB2 - DSUB5 - DSUB10 - DSUB15 - DSUB20](#)
- Transducer cable 3m for connection to end-user's power supply: [Transducer cable for lab PS](#)
(with access to current output via $\phi 4$ banana jacks)

Please visit Danisense homepage for relevant datasheets



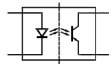
DSUB pin layout

DSUB-9 pinout & BNC connection

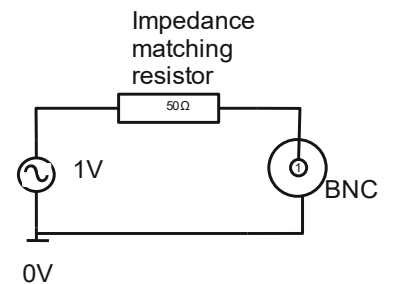


When sensor is operating in normal condition the status pins are shorted.

- Status pin properties.
- Forward direction pin 8 to pin 3
 - Maximum forward current 10mA
 - Maximum forward voltage 60V
 - Maximum reverse voltage 5V



- 5 —●— -Vc
- 9 —●— +Vc
- 4 —●— 0V
- 8 —●— Status
- 3 —●— Status
- 7 —●— NC
- 2 —●— NC
- 6 —●— Do not use
- 1 —●— Do not use



Positive current direction

Is identified by an arrow on the transducers red isolation piece in the center

Mounting instructions

- Horizontal or vertical mounting
- M5 steel screws / 6Nm

Intended use:

The DS1200UB-10V is designed to measure current up to 1320A, and be powered by a DSSIU-4-1U or DSSIU-6-1U.

Instruction for use:

1. Do not power up the device before all cables are connected.
2. Only use Danisense cables to ensure correct impedance levels.
3. Place the primary conductor through the aperture of the transducer
4. If the DSSIU-4(6)-1U is intended for desk use, mount the rubber feet which are part of the package.
5. If the DSSIU-4(6)-1U is intended for Rack mounting, use the screw kit for mounting and do not mount the rubber feet.
6. Connect a DSUB cable between DSSIU-4(6)-1U and each sensor
7. Connect a low impedance amperemeter, measuring resistor or power analyzer on the secondary output (4mm red and black connectors)
8. Ensure that no calibration connectors are attached when measuring primary current. Always avoid to create a calibration short circuit, between + and — calibration connection.
9. There is a risk of electrical shock if an uninsulated busbar with high voltages is touching the metal enclosure of the transducer. Please ensure before powering up the system that no primary busbar can touch the metal enclosure.
10. When all connection are secured - connect mains power
11. Apply primary current

Safety Instructions:

DO NOT TRY TO DISASSEMBLE THE UNIT.

If the green transducer diode is not operating when the system is powered up, disconnect power and contact Danisense for further instruction.

If the equipment is used in a manner not specified by the manufacturer, the protection provided by the equipment may be impaired.