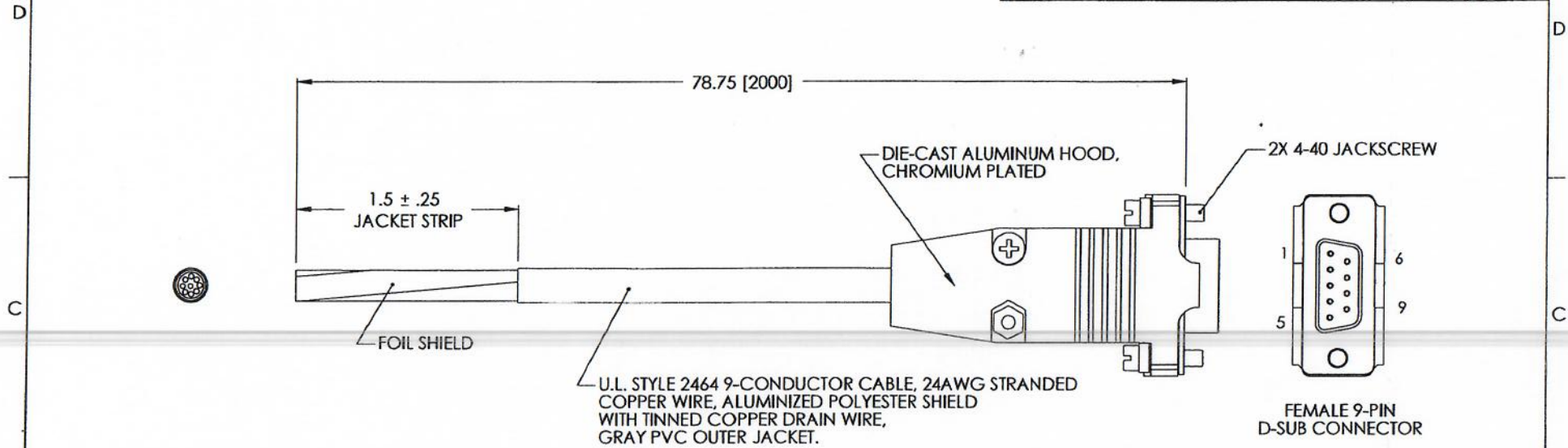


THE INFORMATION CONTAINED IN THIS DRAWING IS THE SOLE PROPERTY OF L-COM, INC. ANY REPRODUCTION IN PART OR WHOLE WITHOUT THE WRITTEN PERMISSION OF L-COM, INC. IS PROHIBITED.

REVISIONS			
REV	DESCRIPTION	DATE	APPROVED
A	APPROVED FOR PRODUCTION BY LAJO GUITRON	1/30/02	TJC
B	CHANGES COLOR CODES PER CUSTOMER SAMPLE (ECN# 1241)	10/14/02	TJC



PIN ASSIGNMENTS	
DB9F	COLOR CODE
PIN 1	BLACK
PIN 2	WHITE
PIN 3	RED
PIN 4	GREEN
PIN 5	BROWN
PIN 6	BLUE
PIN 7	ORANGE
PIN 8	YELLOW
PIN 9	PURPLE
SHIELD	DRAIN WIRE

NOTES:

- CABLE SHIELD DRAIN WIRE IS SOLDERED TO METAL SHELL OF D-SUB CONNECTOR.
- MATING SURFACES OF CONNECTOR CONTACTS GOLD PLATED.

UNLESS OTHERWISE SPECIFIED, DIMENSIONS ARE IN INCHES TOLERANCES ARE:
 .X ±.1
 .XX ±.05
 .XXX ±.005
 CABLE LENGTH TOLERANCE
 <300" ±5% >300" ±2%

APPROVALS	DATE
DRAWN	
TJC	1/29/02
CHECKED	
DFP	1/29/02
APPROVED BY	
CM	1/30/01

CONFIGURATION DETAILS OF UNDIMENSIONED FEATURES MAY VARY

L-com 45 BEECHWOOD DRIVE
 NORTH ANDOVER, MA 01845
 CONNECTIVITY PRODUCTS

PRODUCT DESCRIPTION
CUSTOM DATA CABLE ASSEMBLY

DRAWING TITLE
OUTLINE DRAWING

SIZE A	FSCM NO. 43321	DWG. NO. SP10381-OD1	REV. B
SCALE 1:1	CAD FILE SP10381-OD1.SLDDRW	SHEET 1 OF 1	