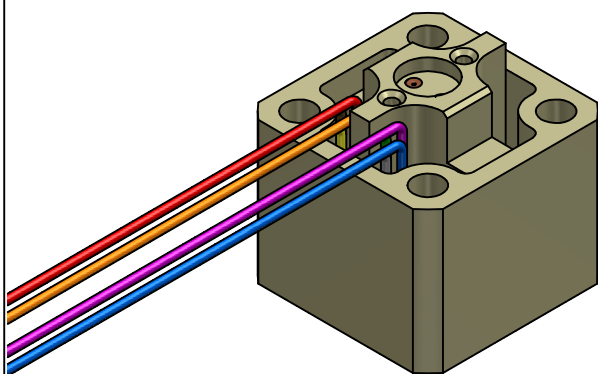


○ - CENTRE OF SENSING AXES

Mag610*: Up to 175° C
 *RoHS compliant.
 Assembled using Lead-free solder.
Mag611: Up to 215° C

FUNCTION	WIRE COLOURS
Excitation common	Brown
Y-excitation	Red
Z-excitation	Orange
X-excitation	Yellow
GND/Detection common	Green
Y-detection	Blue
Z-detection	Violet
X-detection	Grey

Available Noise Variants:
 Mag610-B (<1nT)
 Mag610-S (<300pT)
 Mag610-L (<30pT)
 Mag611-B (<1nT)
 Mag611-S (<300pT)



POTTING COMPOUND WILL DISCOLOUR AT TEMPERATURE (CLEAR THROUGH TO BLACK)

<p>COPYRIGHT: THIS DRAWING AND THE INFORMATION CONTAINED THEREIN IS CONFIDENTIAL AND MUST NOT BE REPRODUCED, COPIED OR USED FOR ANY PURPOSE WHATSOEVER WITHOUT THE PRIOR PERMISSION OF BARTINGTON INSTRUMENTS LTD.</p>	DIMENSIONS ARE IN MILLIMETERS THIRD ANGLE PROJECTION	TITLE Mag610 (B, S & L) & Mag611 (B & S) Outline Drawing	USED ON PROJECT No D611	
	TOLERANCES FOR MACHINING: (UNLESS OTHERWISE SPECIFIED) LINEAR: XX ±0.3mm, XX.X ±0.1mm, XX.XX ±0.05mm ANGULAR: XX ±0.5°, XX.X ±0.1°, XX.XX ±0.05°		TECHNICAL INFORMATION No. TI2756 OPERATION MANUAL No. OM3223 DATASHEET No. DS2756	DRAWN <i>Daniel Cetnik</i> 09/07/2014 MODIFIED <i>Nicholas Avery</i> 23/05/2016 MECH' CHECK <i>Adrian Swinton</i> 23/05/2016 ELEC' CHECK <i>Adrian Swinton</i> 23/05/2016