

Spacemag-Lite

P1	
Samtec ESQ-114-14-G-D	
Pin	Function
1	N.C.
2	N.C.
3	N.C.
4	N.C.
5	N.C.
6	N.C.
7	N.C.
8	N.C.
9	N.C.
10	N.C.
11	5V In
12	N.C.
13	3.3V In
14	N.C.
15	GND
16	SW (Enable) 0V/open = off 5V = on
17	AGND
18	N.C.
19	AGND
20	N.C.
21	XMAG+
22	XMAG-
23	YMAG+
24	YMAG-
25	ZMAG+
26	ZMAG-
27	N.C.
28	AGND

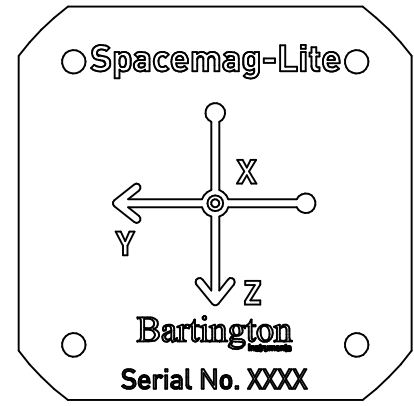
PH1	
Samtec ESQ-126-14-G-D	
Pin	Function
1 to 52	N.C.

PH2	
Samtec ESQ-126-14-G-D	
Pin	Function
1 to 24	N.C.
25	5V In
26	N.C.
27	3.3V In
28	N.C.
29	GND
30 to 52	N.C.

LINKED TO P1 - PIN 11

LINKED TO P1 - PIN 13

LINKED TO P1 - PIN 15



AXIS ORIENTATION

○ - CENTRE OF SENSING ELEMENTS

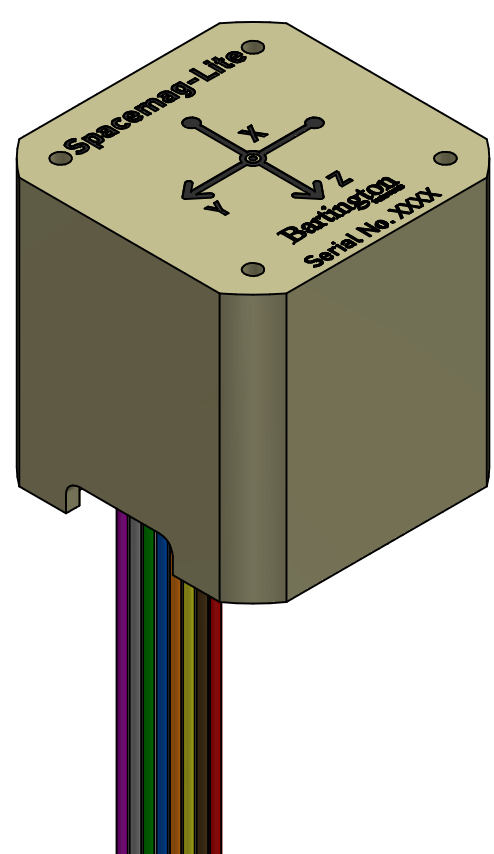
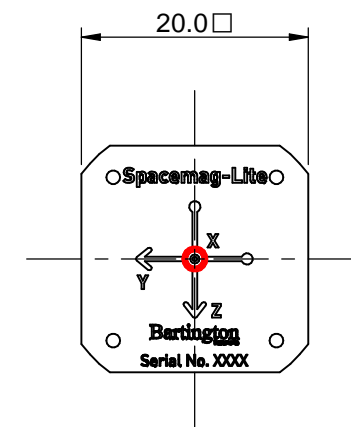
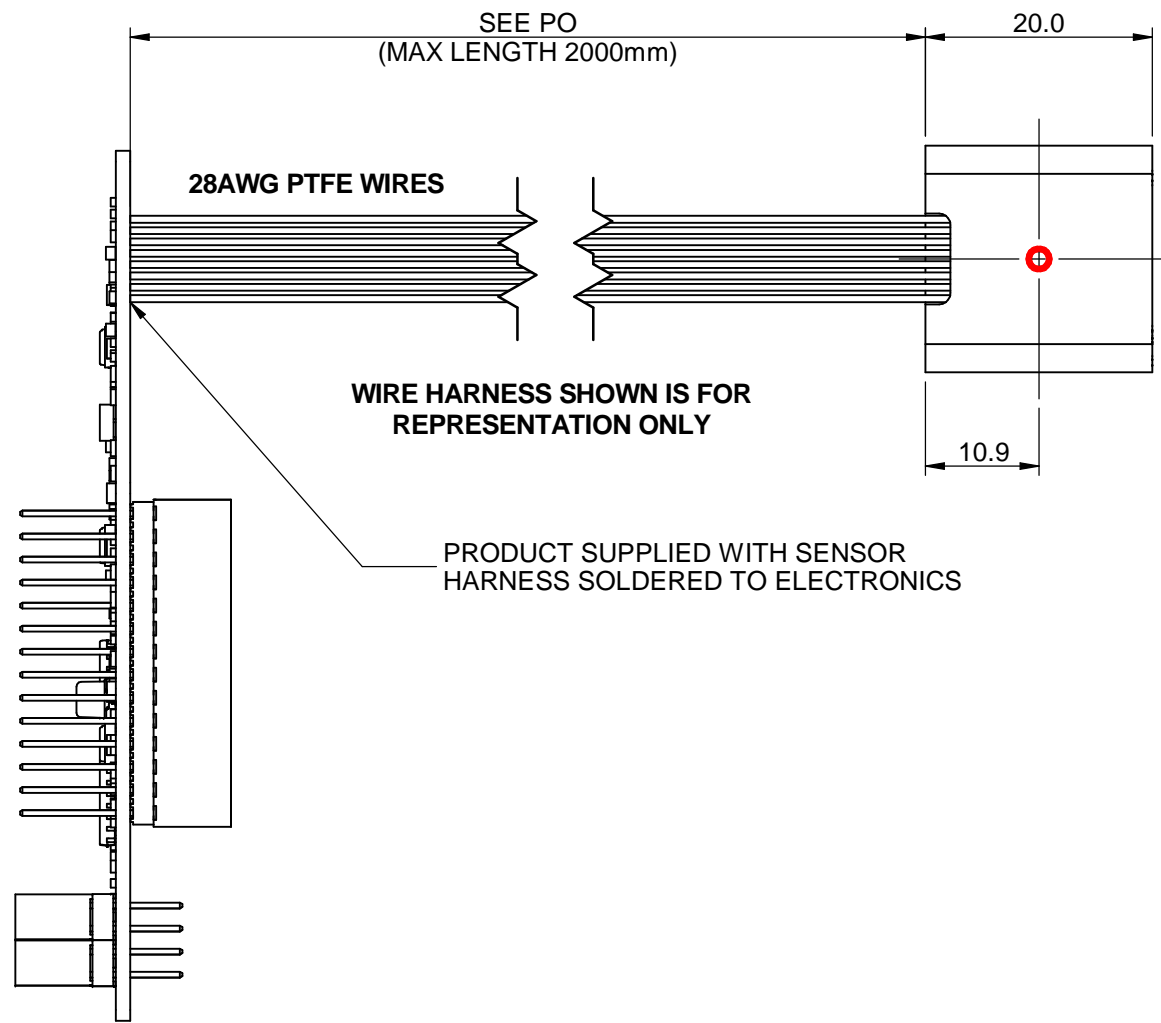
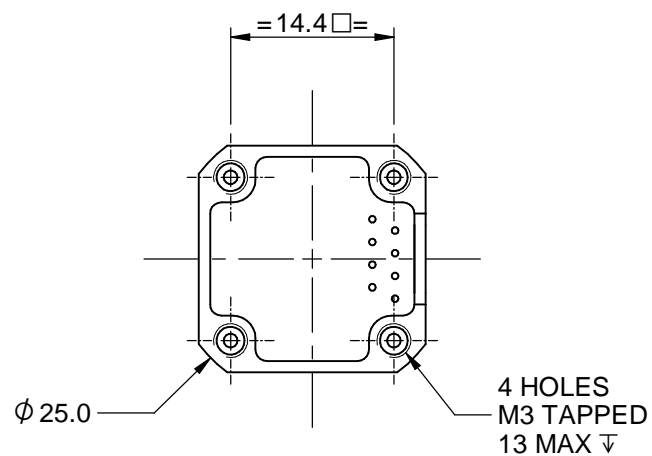


THIS DOCUMENT AND THE INFORMATION CONTAINED IN IT IS COMMERCIAL IN CONFIDENCE AND © BARTINGTON INSTRUMENTS LTD AND/OR ITS LICENSORS. NEITHER MAY BE REPRODUCED, COPIED OR TRANSMITTED TO ANY THIRD PARTY, IN EACH CASE IN ANY MEDIUM, WITHOUT THE PRIOR WRITTEN PERMISSION OF BARTINGTON INSTRUMENTS LTD.

Title		Project	
Spacemag-Lite Outline Drawing		D1501	
		Dimensions in mm	Size A3
Revisions		Created by	10/08/2015
Added Spacemag-Lite Probe Variant		Modified by	20/08/2019
		Approved by	20/08/2019
		Drawing No.	Issue
		DR3777	6
			DCN No.
			1870

BI OUTLINE DRAFT A3 v9

Spacemag-Lite (Harness Variant)



SEE PAGE 1 FOR ELECTRONICS CONNECTION DETAILS

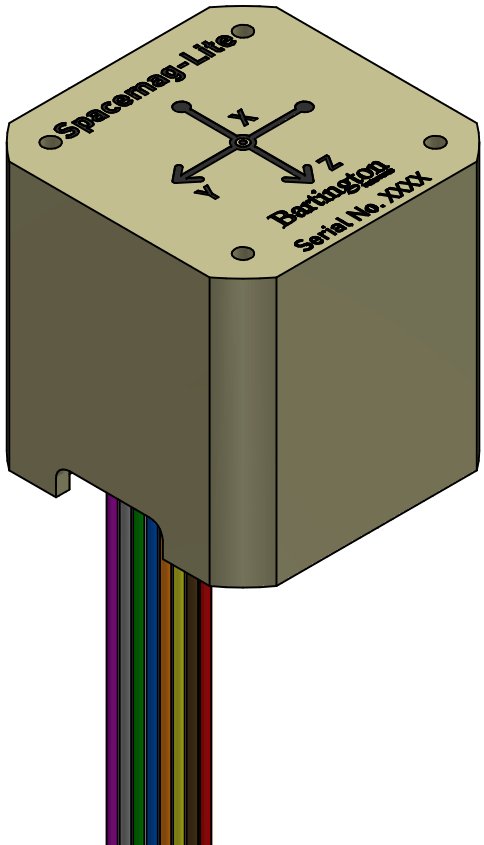
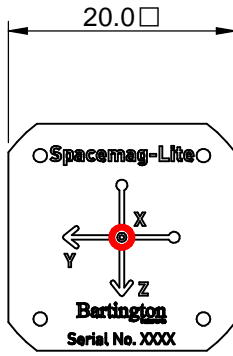
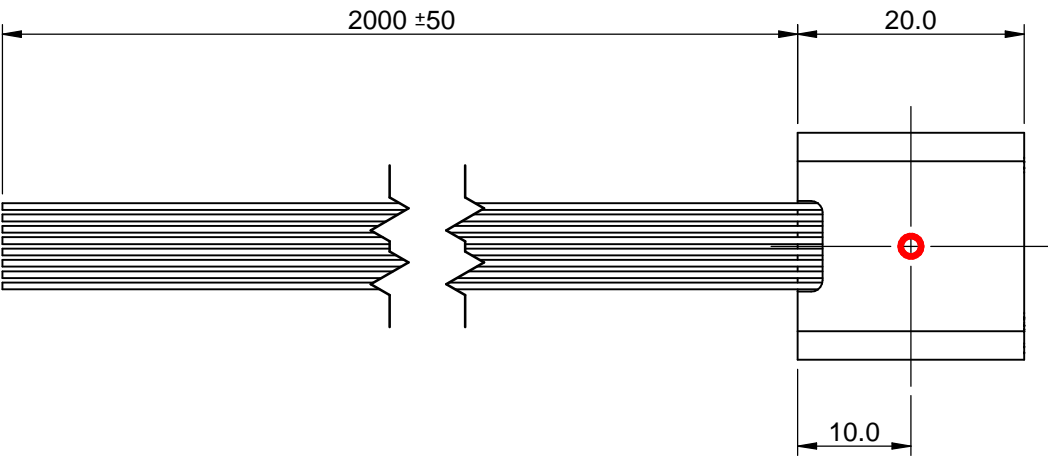
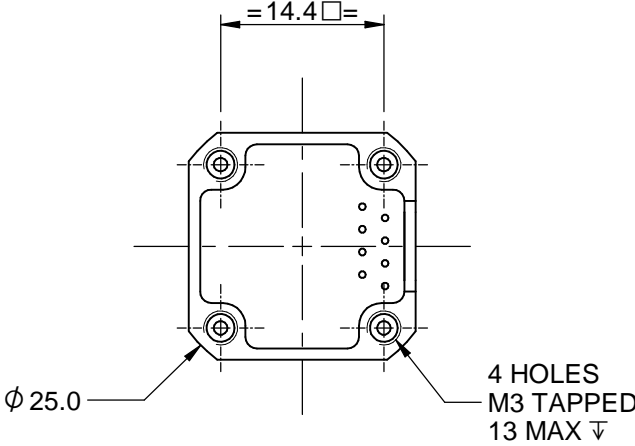
Harness Wiring	
Colour	Function
Red	X Drive
Orange	Y Drive
Yellow	Z Drive
Brown	Excitation GND
Blue	X Sense
Violet	Y Sense
Grey	Z Sense
Green	Sense GND

○ - CENTRE OF SENSING ELEMENTS

<p>THIS DOCUMENT AND THE INFORMATION CONTAINED IN IT IS COMMERCIAL IN CONFIDENCE AND © BARTINGTON INSTRUMENTS LTD AND/OR ITS LICENSORS. NEITHER MAY BE REPRODUCED, COPIED OR TRANSMITTED TO ANY THIRD PARTY, IN EACH CASE IN ANY MEDIUM, WITHOUT THE PRIOR WRITTEN PERMISSION OF BARTINGTON INSTRUMENTS LTD.</p>	<p>Title</p> <p>Spacemag-Lite Outline Drawing</p>	<p>Third Angle Projection </p>	<p>Project</p> <p>D1501</p>	
		<p>Dimensions in mm</p>	<p>Size A3</p>	<p>Sheet 2/3</p>
<p>Revisions</p> <p>Added Spacemag-Lite Probe Variant</p>	<p>Created by</p> <p>Luke Fry</p>	<p>10/08/2015</p>	<p>Modified by</p> <p>Lewis O'Neil</p>	<p>20/08/2019</p>
	<p>Approved by</p> <p>Nicholas Avery</p>	<p>20/08/2019</p>	<p>Drawing No.</p> <p>DR3777</p>	<p>Issue</p> <p>6</p>
	<p>DCN No.</p> <p>1870</p>			

BI OUTLINE DRAFT A3 v9

Spacemag-Lite Probe



Harness Wiring	
Colour	Function
Red	X Drive
Orange	Y Drive
Yellow	Z Drive
Brown	Excitation GND
Blue	X Sense
Violet	Y Sense
Grey	Z Sense
Green	Sense GND

○ - CENTRE OF SENSING ELEMENTS



THIS DOCUMENT AND THE INFORMATION CONTAINED IN IT IS COMMERCIAL IN CONFIDENCE AND © BARTINGTON INSTRUMENTS LTD AND/OR ITS LICENSORS. NEITHER MAY BE REPRODUCED, COPIED OR TRANSMITTED TO ANY THIRD PARTY, IN EACH CASE IN ANY MEDIUM, WITHOUT THE PRIOR WRITTEN PERMISSION OF BARTINGTON INSTRUMENTS LTD.

Title		Third Angle Projection	Project
Spacemag-Lite Outline Drawing		Dimensions in mm	D1501
		Size A3	Sheet 3/3
Created by	Luke Fry	10/08/2015	
Modified by	Lewis O'Neil	20/08/2019	
Approved by	Nicholas Avery	20/08/2019	
Revisions		Drawing No.	Issue
Added Spacemag-Lite Probe Variant		DR3777	6
		DCN No.	1870

BI OUTLINE DRAFT A3 v9