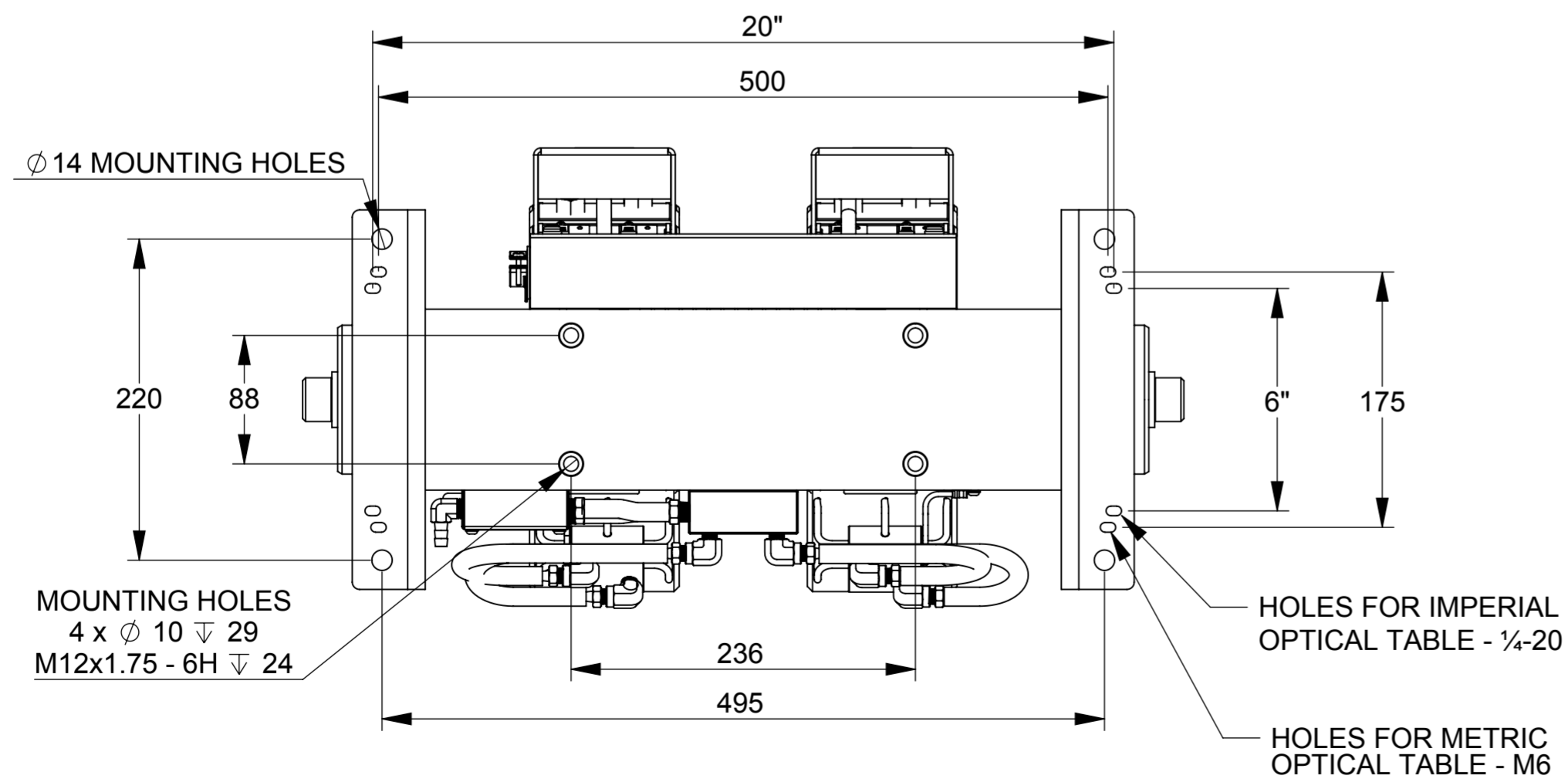
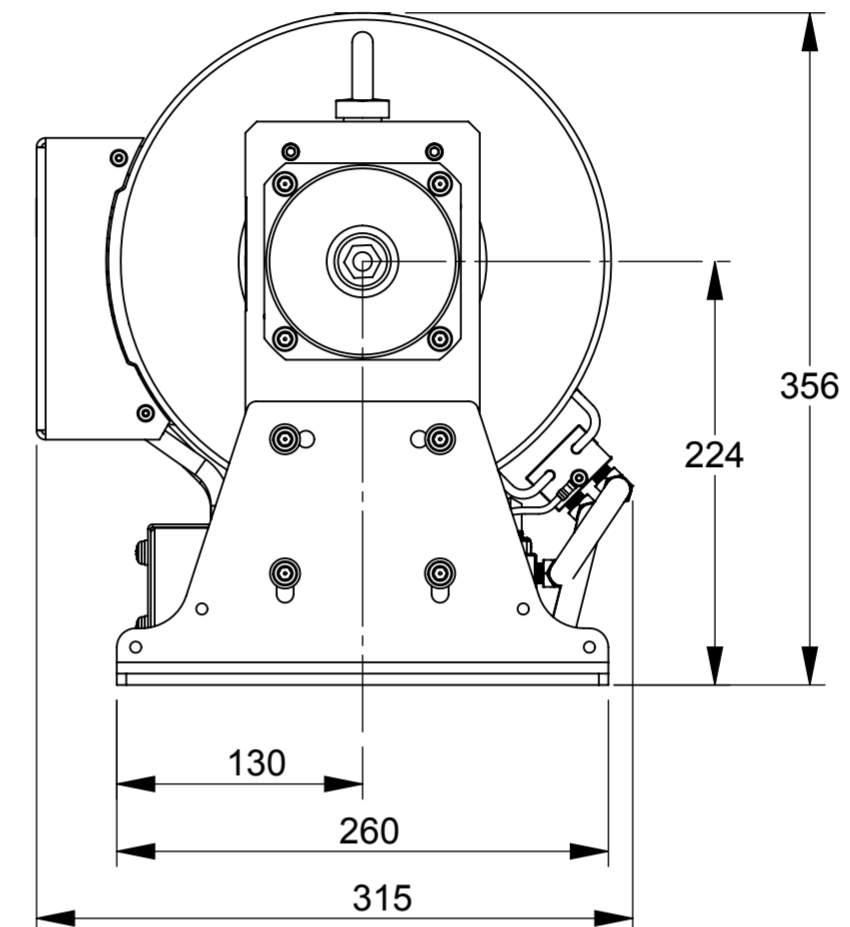
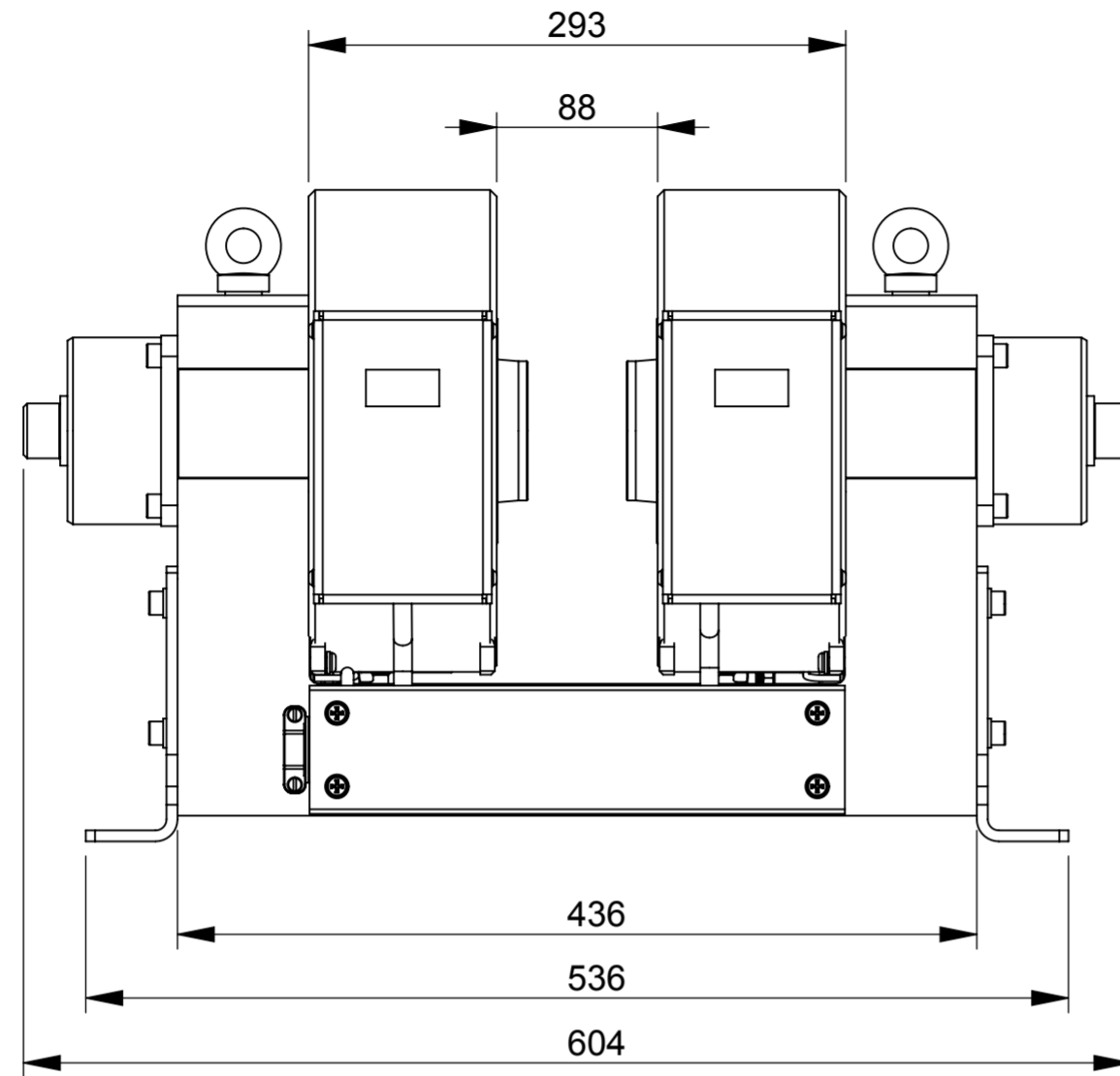


PROPRIETARY

THIS DRAWING CONTAINS CONFIDENTIAL INFORMATION PROPRIETARY TO GMW INC. IT MUST NOT BE REPRODUCED OR DISCLOSED TO OTHERS OR USED IN ANY WAY, IN WHOLE OR IN PART EXCEPT AS AUTHORIZED IN WRITING BY GMW INC.

REVISION HISTORY

REV.	DESCRIPTION	DATE	APPROVED
P1	Release	6 Mar, 2018	T. King



POLE GAP: 0 - 88mm
 POLE FACE: 3mm, 10mm, 38mm, and 76mm

MASS: 155 kg [342 LBS]

NOTE:

1. POLE ADJUSTMENT HEX KEY SIZE: 17mm
2. LIFTING EYE BOLT: AS-2317, M12

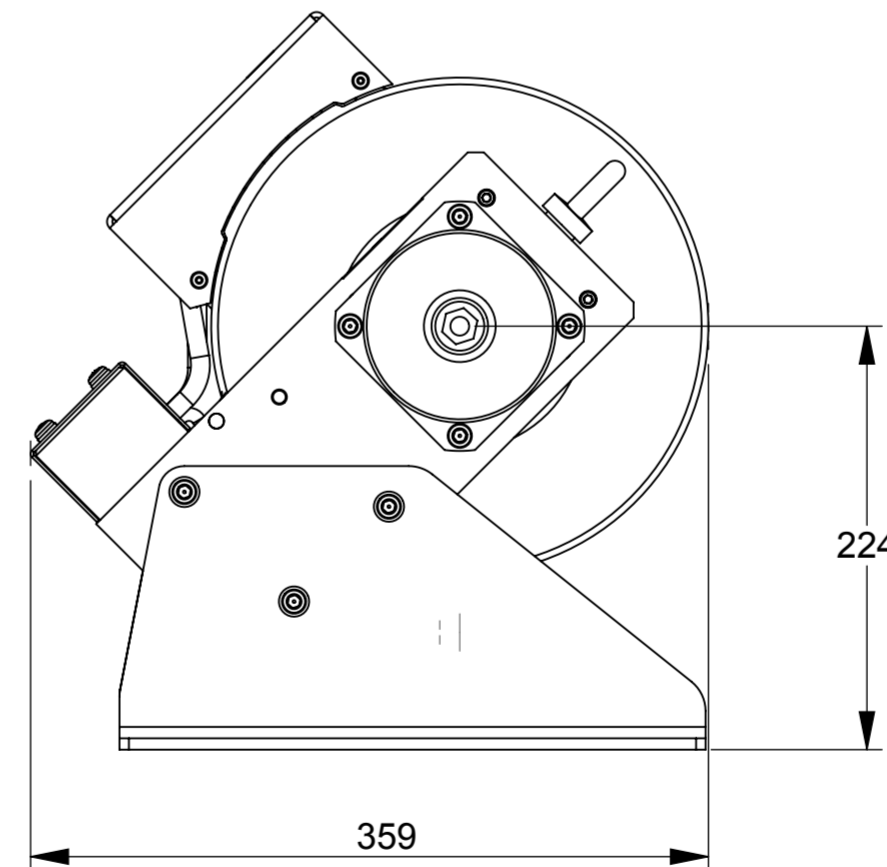
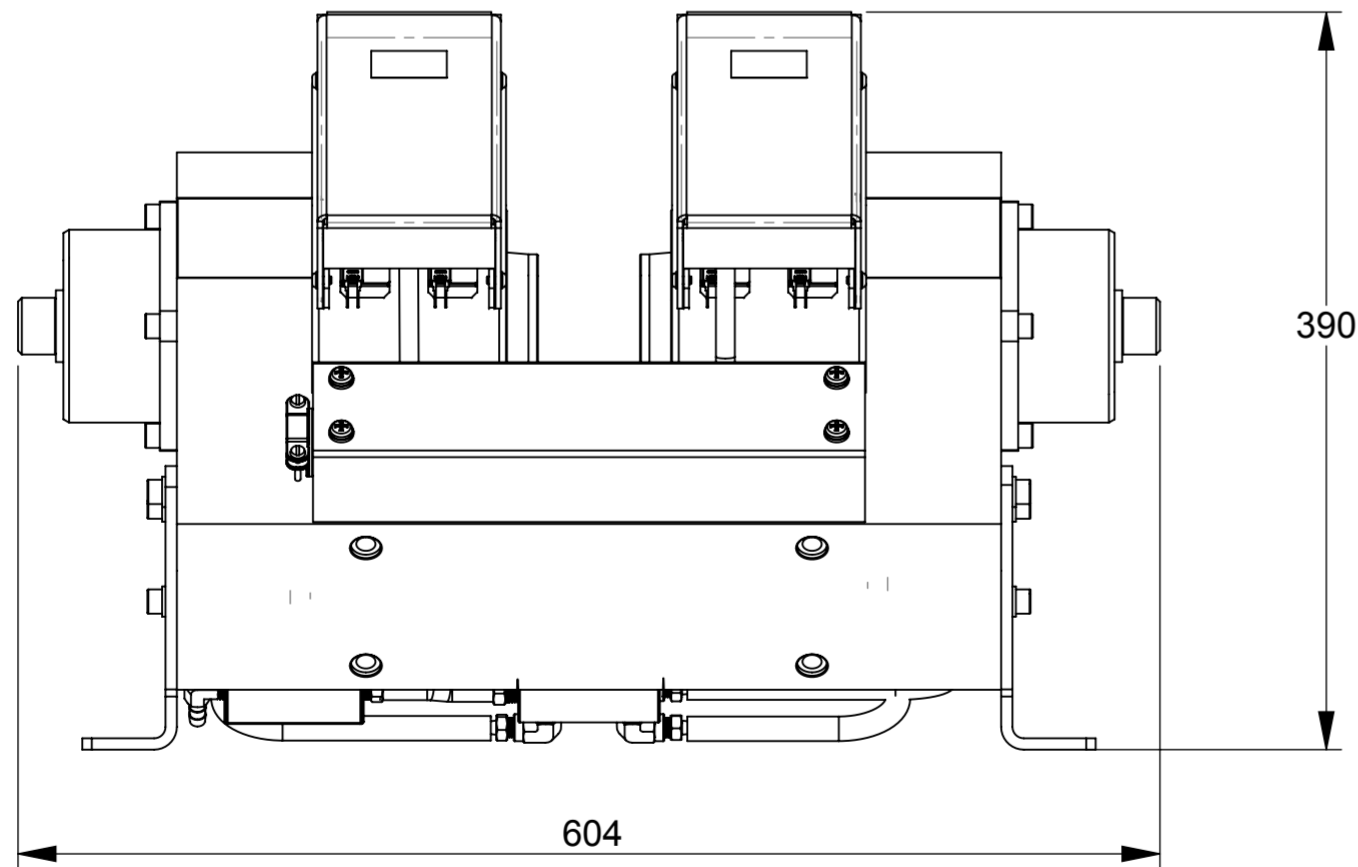
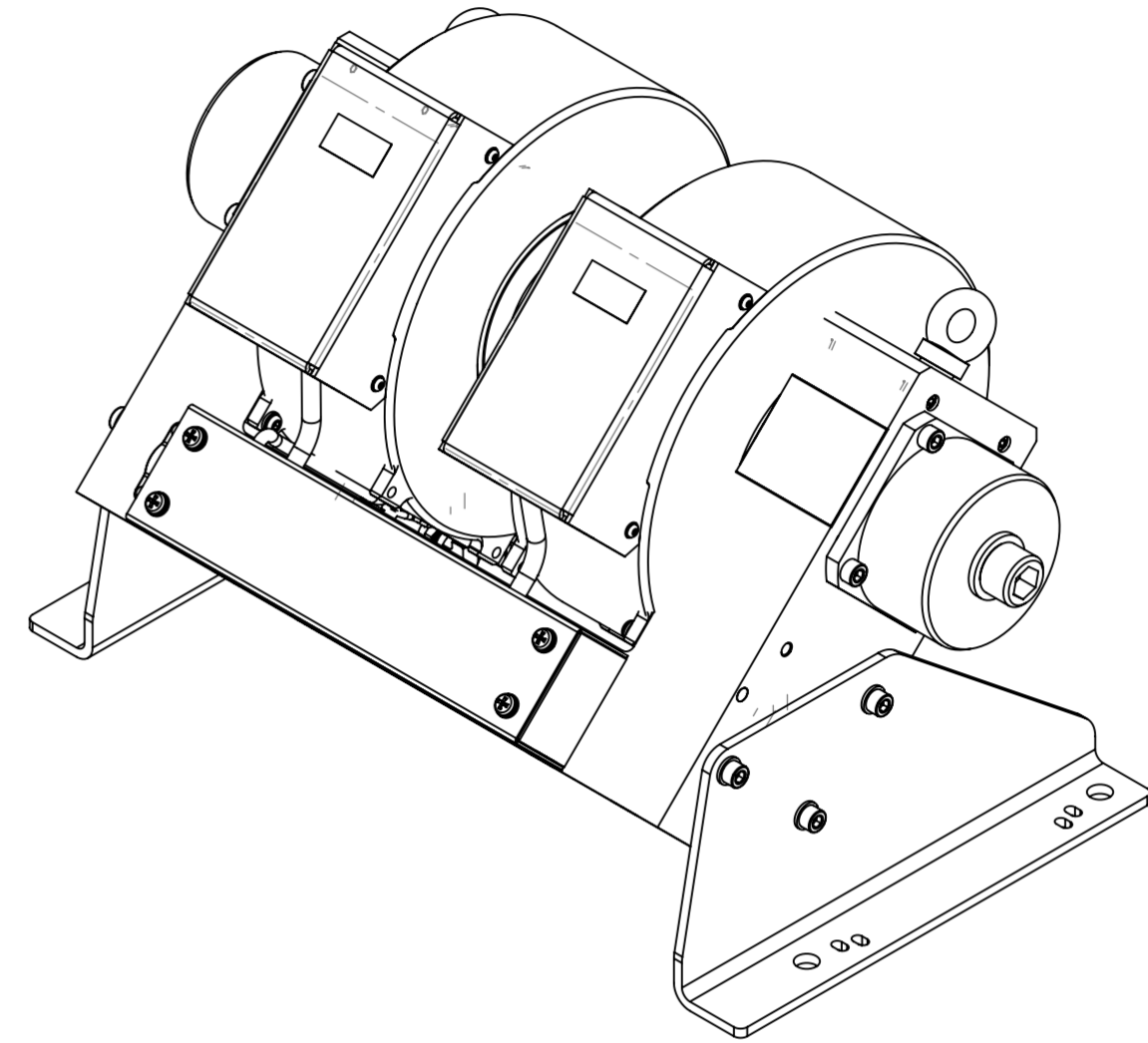
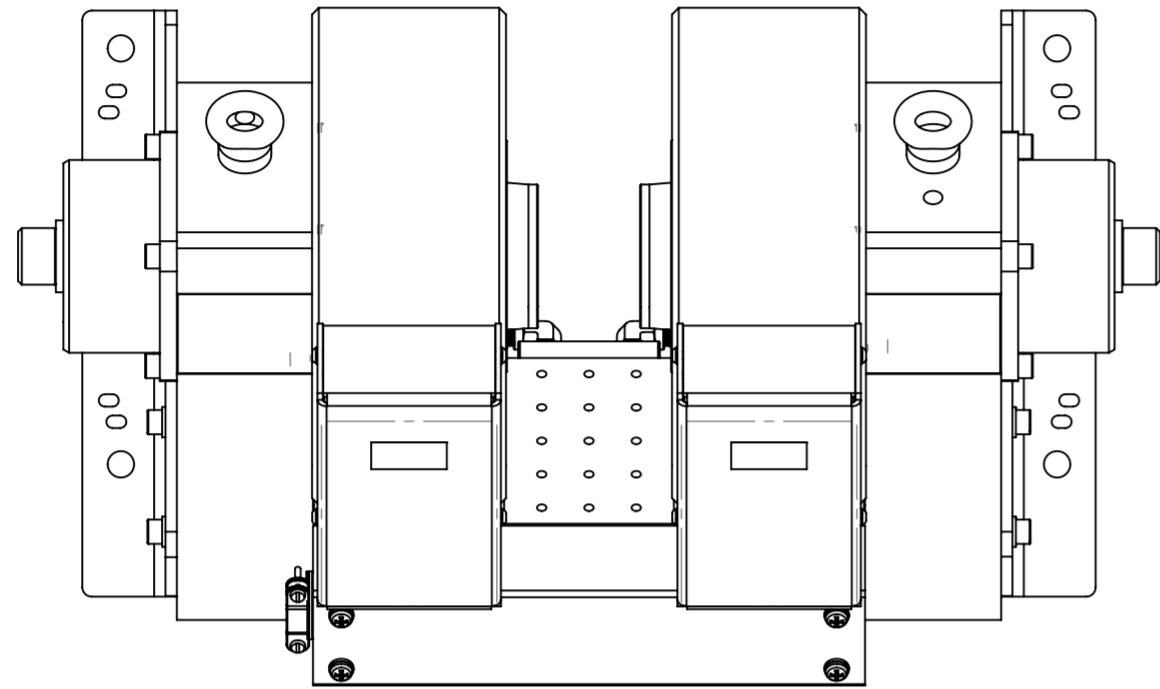
DRAWN M. Duffy	DATE	DO NOT SCALE FROM DRAWING DIMENSIONS & TOLERANCES UNLESS OTHERWISE NOTED <table border="1"> <thead> <tr> <th>LINEAR</th> <th>INCHES</th> <th>mm</th> </tr> </thead> <tbody> <tr> <td>X.XXX</td> <td>+0.005</td> <td>+0.03</td> </tr> <tr> <td>X.XX</td> <td>+0.01</td> <td>+0.1</td> </tr> <tr> <td>X.X</td> <td>+0.03</td> <td>+0.3</td> </tr> <tr> <td>X</td> <td>+0.06</td> <td>+1</td> </tr> <tr> <td>DEG.</td> <td>+0.5</td> <td>+0.5</td> </tr> <tr> <td>FINISH</td> <td>63</td> <td>1.6</td> </tr> </tbody> </table>	LINEAR	INCHES	mm	X.XXX	+0.005	+0.03	X.XX	+0.01	+0.1	X.X	+0.03	+0.3	X	+0.06	+1	DEG.	+0.5	+0.5	FINISH	63	1.6	GMW Associates 955 Industrial Road, San Carlos, CA 94070 Tel: (650) 802-8292 Fax: (650) 802-8298	
LINEAR	INCHES		mm																						
X.XXX	+0.005		+0.03																						
X.XX	+0.01		+0.1																						
X.X	+0.03	+0.3																							
X	+0.06	+1																							
DEG.	+0.5	+0.5																							
FINISH	63	1.6																							
CHECKED T. King	DATE	TITLE: 5405 Electromagnet G/A - Major Dimensions																							
ENGINEERING	DATE	SIZE DWG NO. A1 11907-0450-0	REV. P1																						
		SCALE: 1:3 MASS: 155 kg SHEET: 1 OF 4																							

PROPRIETARY

THIS DRAWING CONTAINS CONFIDENTIAL INFORMATION PROPRIETARY TO GMW INC. IT MUST NOT BE REPRODUCED OR DISCLOSED TO OTHERS OR USED IN ANY WAY, IN WHOLE OR IN PART EXCEPT AS AUTHORIZED IN WRITING BY GMW INC.

REVISION HISTORY

REV.	DESCRIPTION	DATE	APPROVED
P1	Release	6 Mar, 2018	T. King



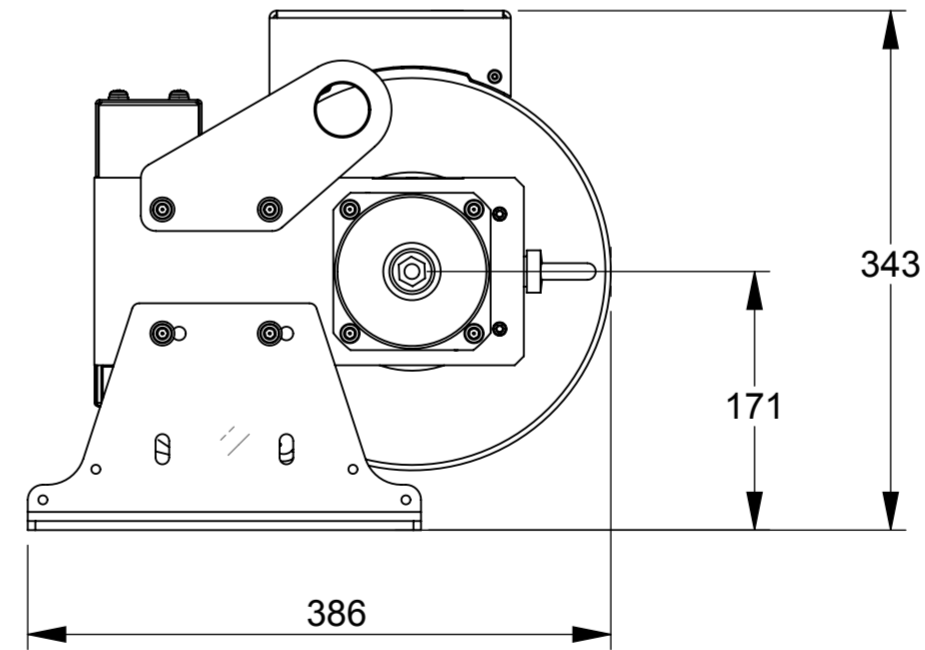
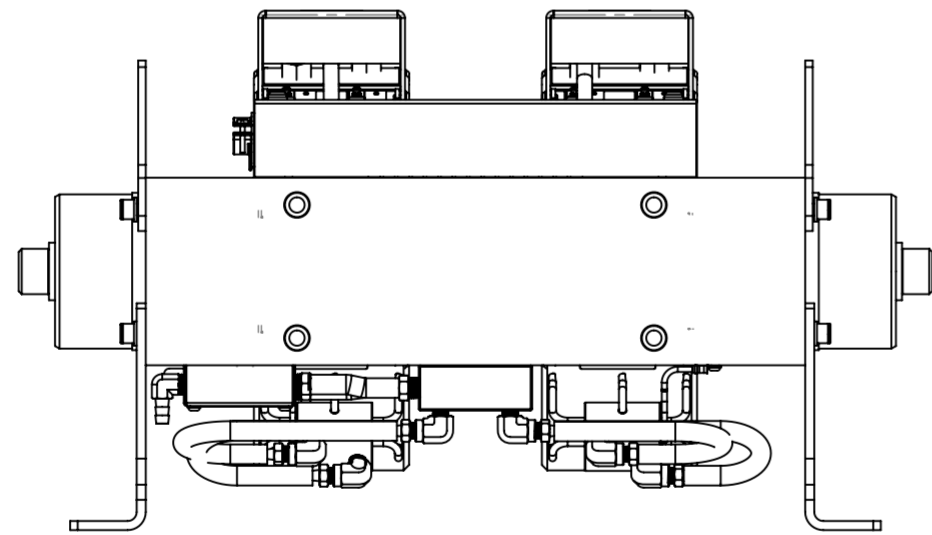
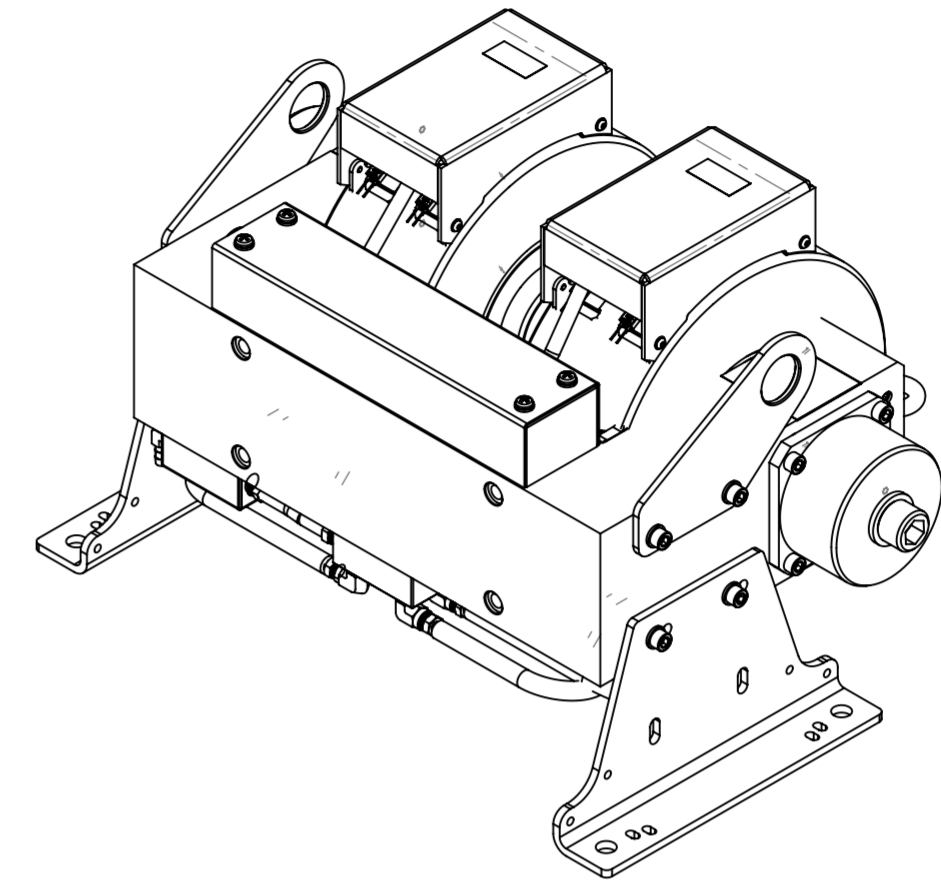
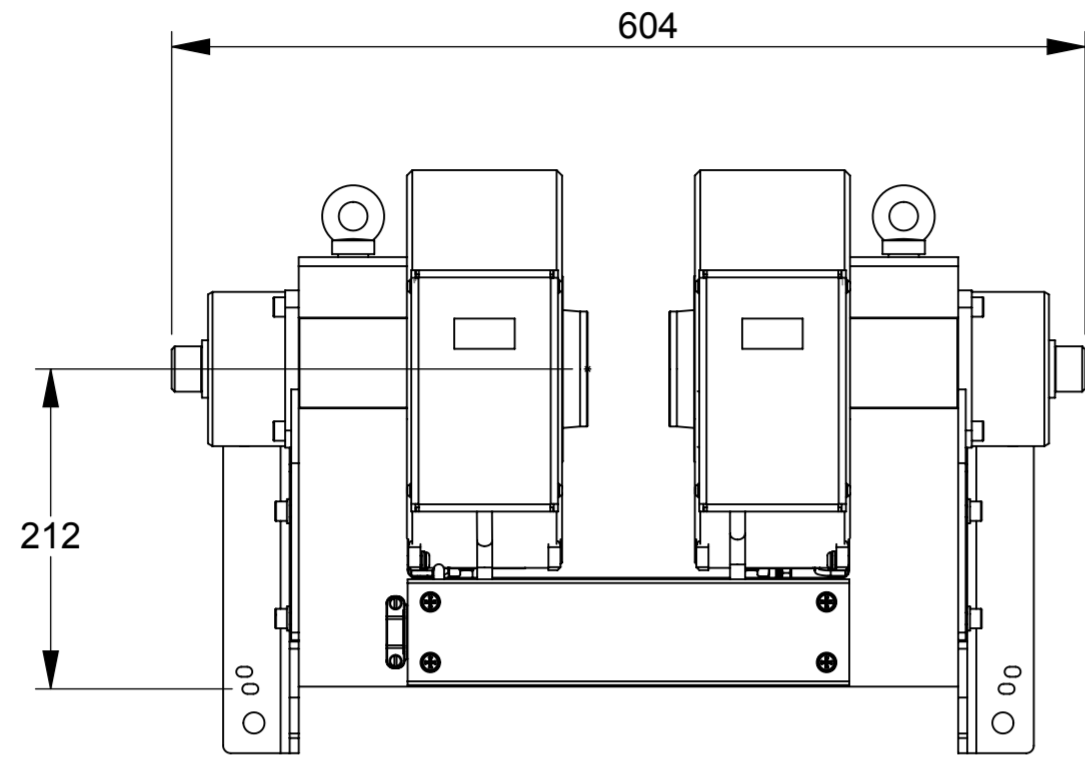
DRAWN M. Duffy	DATE Drawn Date	<p>DO NOT SCALE FROM DRAWING DIMENSIONS & TOLERANCES UNLESS OTHERWISE NOTED</p> <table border="1"> <thead> <tr> <th>LINEAR</th> <th>INCHES</th> <th>mm</th> </tr> </thead> <tbody> <tr> <td>X.XXX</td> <td>+0.005</td> <td>+0.03</td> </tr> <tr> <td>X.XX</td> <td>+0.01</td> <td>+0.1</td> </tr> <tr> <td>X.X</td> <td>+0.03</td> <td>+0.3</td> </tr> <tr> <td>X</td> <td>+0.06</td> <td>+1</td> </tr> <tr> <td>DEG.</td> <td>+0.5</td> <td>+0.5</td> </tr> <tr> <td>FINISH</td> <td>63</td> <td>1.6</td> </tr> </tbody> </table>	LINEAR	INCHES	mm	X.XXX	+0.005	+0.03	X.XX	+0.01	+0.1	X.X	+0.03	+0.3	X	+0.06	+1	DEG.	+0.5	+0.5	FINISH	63	1.6	<p>GMW Associates 955 Industrial Road, San Carlos, CA 94070 Tel: (650) 802-8292 Fax: (650) 802-8298</p>	
LINEAR	INCHES		mm																						
X.XXX	+0.005		+0.03																						
X.XX	+0.01		+0.1																						
X.X	+0.03	+0.3																							
X	+0.06	+1																							
DEG.	+0.5	+0.5																							
FINISH	63	1.6																							
CHECKED T. King	DATE Check Date	<p>TITLE: 5405 Electromagnet G/A - Schematic & Cooling</p>																							
ENGINEERING	DATE	SIZE A1	DWG NO. 11907-0450-0	REV. P1																					
		<p>SCALE: 1:3 MASS: 155 kg SHEET: 2 OF 4</p>																							

PROPRIETARY

THIS DRAWING CONTAINS CONFIDENTIAL INFORMATION PROPRIETARY TO GMW INC. IT MUST NOT BE REPRODUCED OR DISCLOSED TO OTHERS OR USED IN ANY WAY, IN WHOLE OR IN PART EXCEPT AS AUTHORIZED IN WRITING BY GMW INC.

REVISION HISTORY

REV.	DESCRIPTION	DATE	APPROVED
P1	Release	6 Mar, 2018	T. King



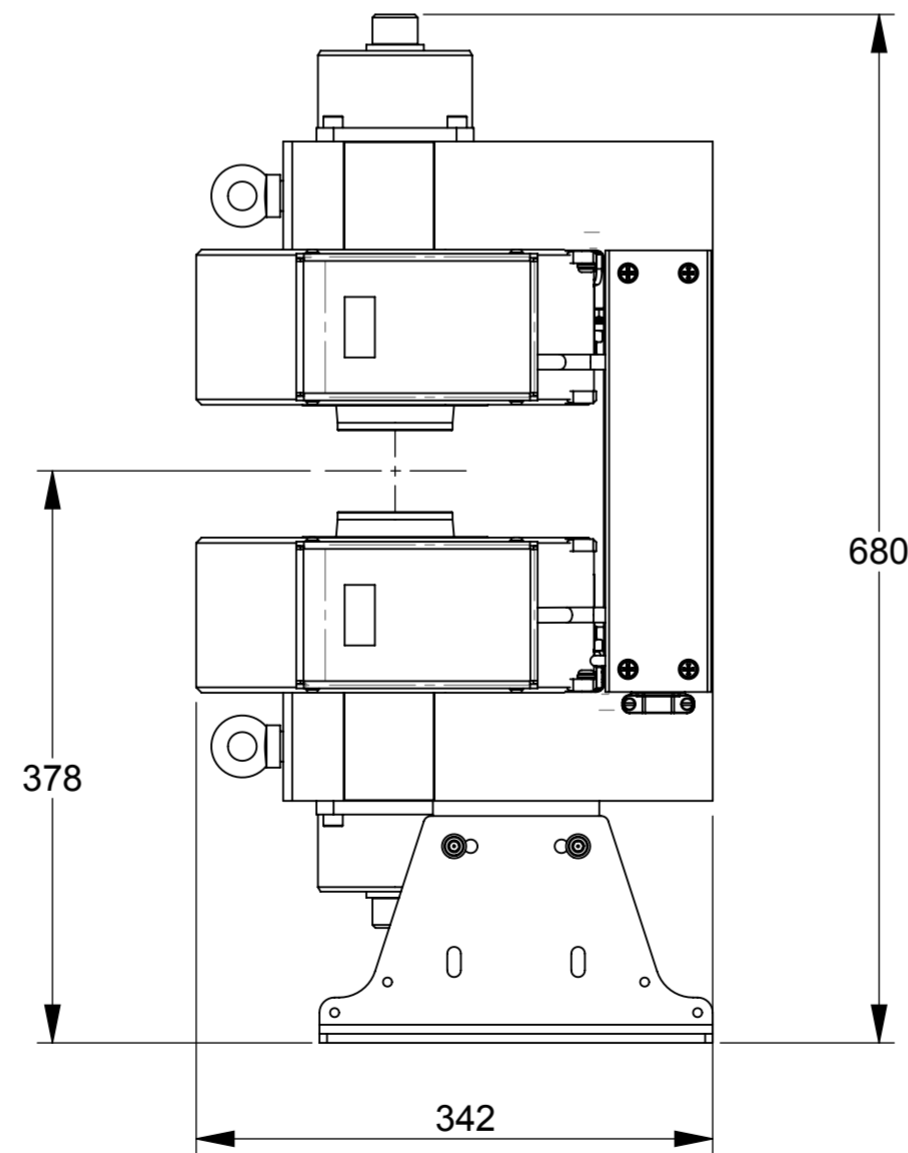
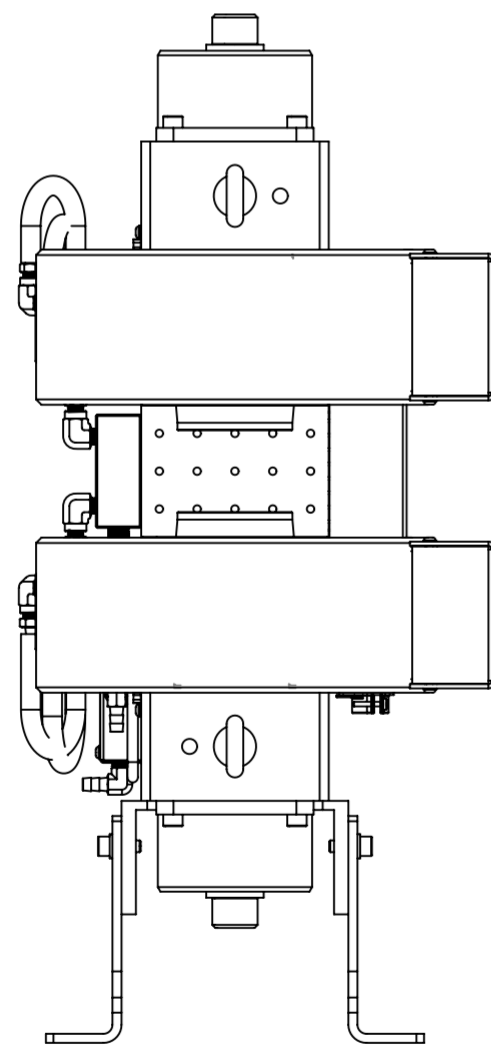
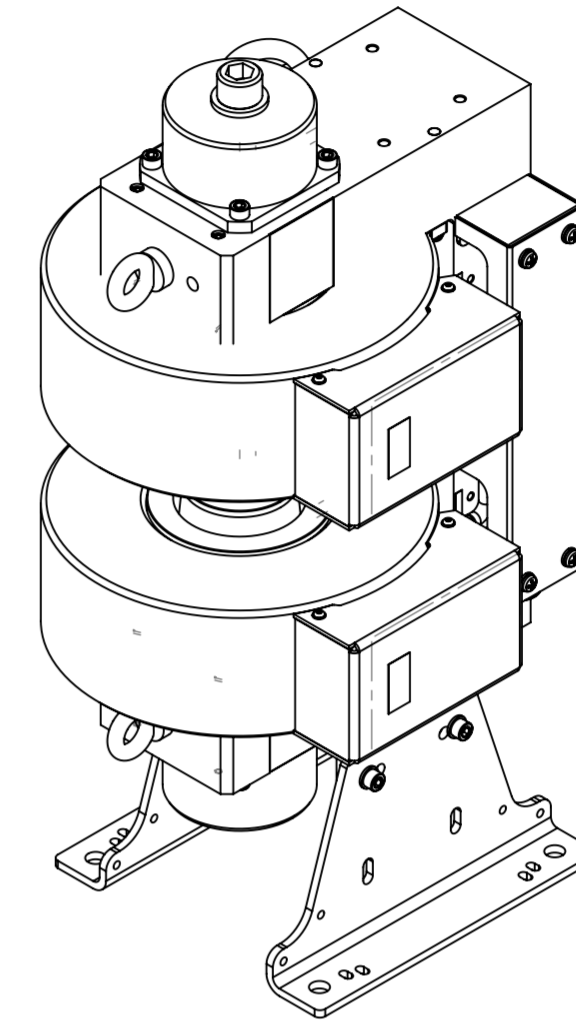
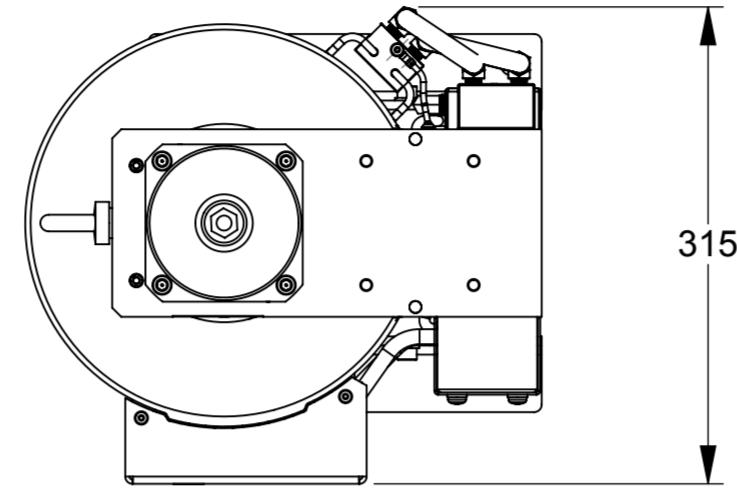
DRAWN M. Duffy	DATE 15 Feb, 2018	<p>DO NOT SCALE FROM DRAWING DIMENSIONS & TOLERANCES UNLESS OTHERWISE NOTED</p> <table border="1"> <thead> <tr> <th>LINEAR</th> <th>INCHES</th> <th>mm</th> </tr> </thead> <tbody> <tr> <td>X.XXX</td> <td>+0.005</td> <td>+0.03</td> </tr> <tr> <td>X.XX</td> <td>+0.01</td> <td>+0.1</td> </tr> <tr> <td>X.X</td> <td>+0.03</td> <td>+0.3</td> </tr> <tr> <td>X</td> <td>+0.06</td> <td>+1</td> </tr> <tr> <td>DEG.</td> <td>+0.5</td> <td>+0.5</td> </tr> <tr> <td>FINISH</td> <td>63</td> <td>1.6</td> </tr> </tbody> </table>	LINEAR	INCHES	mm	X.XXX	+0.005	+0.03	X.XX	+0.01	+0.1	X.X	+0.03	+0.3	X	+0.06	+1	DEG.	+0.5	+0.5	FINISH	63	1.6	<p>GMW Associates 955 Industrial Road, San Carlos, CA 94070 Tel: (650) 802-8292 Fax: (650) 802-8298</p>	
LINEAR	INCHES		mm																						
X.XXX	+0.005		+0.03																						
X.XX	+0.01		+0.1																						
X.X	+0.03	+0.3																							
X	+0.06	+1																							
DEG.	+0.5	+0.5																							
FINISH	63	1.6																							
CHECKED T. King	DATE 6 Mar, 2018	<p>TITLE: 5405 Electromagnet G/A - Electrical</p>																							
ENGINEERING	DATE	SIZE A1	DWG NO. 11907-0450-0	REV. P1																					
		<p>THIRD ANGLE PROJECTION</p> <p>SCALE: 1:3 MASS: 155 kg SHEET: 3 OF 4</p>																							

PROPRIETARY

THIS DRAWING CONTAINS CONFIDENTIAL INFORMATION PROPRIETARY TO GMW INC. IT MUST NOT BE REPRODUCED OR DISCLOSED TO OTHERS OR USED IN ANY WAY, IN WHOLE OR IN PART EXCEPT AS AUTHORIZED IN WRITING BY GMW INC.

REVISION HISTORY

REV.	DESCRIPTION	DATE	APPROVED
P1	Release	6 Mar, 2018	T. King



DRAWN m. Duffy	DATE	DO NOT SCALE FROM DRAWING <small>DIMENSIONS & TOLERANCES UNLESS OTHERWISE NOTED</small> <table border="1"> <thead> <tr> <th>LINEAR</th> <th>INCHES</th> <th>mm</th> </tr> </thead> <tbody> <tr> <td>X.XXX</td> <td>+0.005</td> <td>+0.03</td> </tr> <tr> <td>X.XX</td> <td>+0.01</td> <td>+0.1</td> </tr> <tr> <td>X.X</td> <td>+0.03</td> <td>+0.3</td> </tr> <tr> <td>X</td> <td>+0.06</td> <td>+1</td> </tr> <tr> <td>DEG.</td> <td>+0.5</td> <td>+0.5</td> </tr> <tr> <td>FINISH</td> <td>63</td> <td>1.6</td> </tr> </tbody> </table>	LINEAR	INCHES	mm	X.XXX	+0.005	+0.03	X.XX	+0.01	+0.1	X.X	+0.03	+0.3	X	+0.06	+1	DEG.	+0.5	+0.5	FINISH	63	1.6	GMW Associates 955 Industrial Road, San Carlos, CA 94070 Tel: (650) 802-8292 Fax: (650) 802-8298	
LINEAR	INCHES		mm																						
X.XXX	+0.005		+0.03																						
X.XX	+0.01		+0.1																						
X.X	+0.03		+0.3																						
X	+0.06	+1																							
DEG.	+0.5	+0.5																							
FINISH	63	1.6																							
CHECKED T. King	DATE	TITLE: 5405 Electromagnet G/A - Parts List																							
ENGINEERING	DATE	SIZE DWG NO. A1 11907-0450-0		REV. P1																					
		SCALE: 1:3 MASS: 155 kg SHEET: 4 OF 4																							
		THIRD ANGLE PROJECTION																							