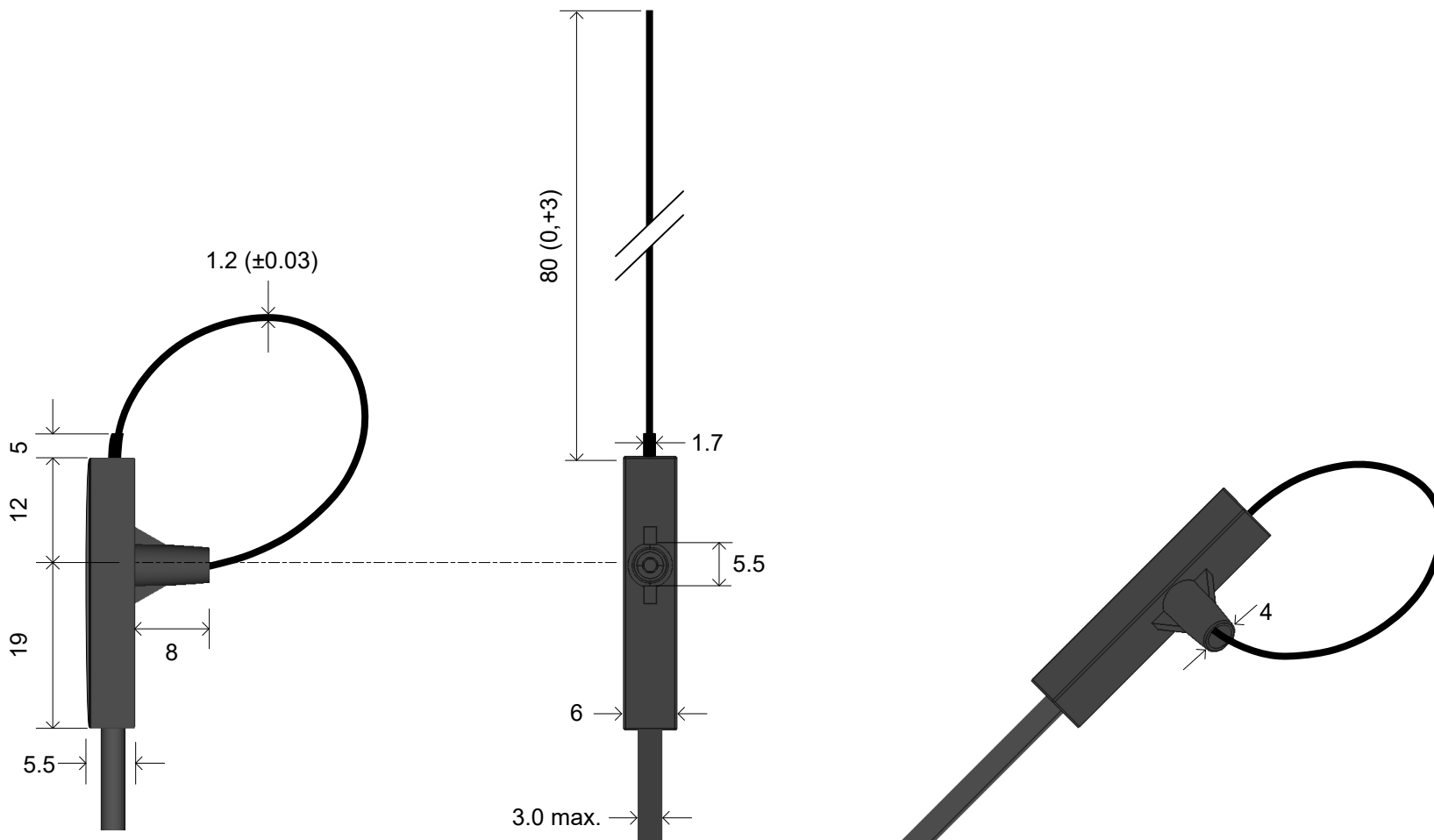


Design file	Dimension Drawing
Product file	CWTUM-S
Revision date	March 2024
Issue No.	01
Sheet No.	1 of 3
Notes	For Guidance ONLY

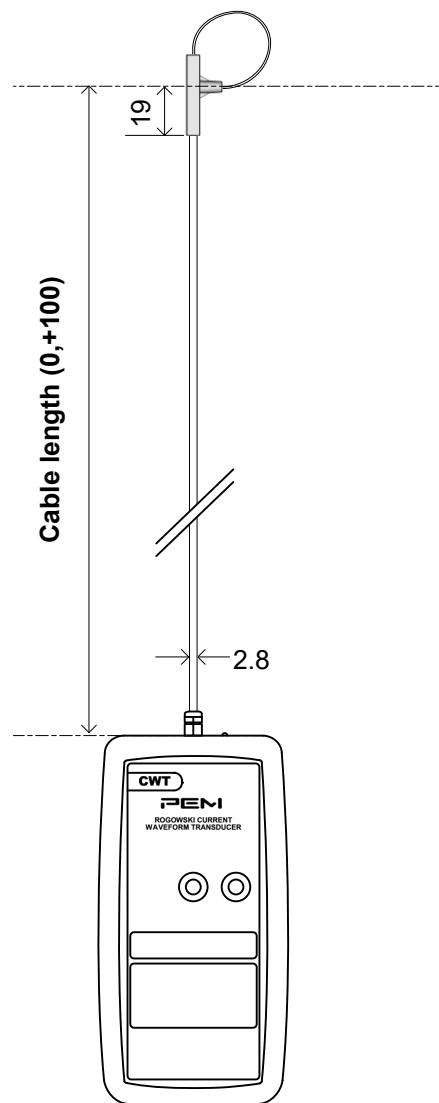


Minimum Bend Radius: 10mm

The standard '**Coil length**' is 80mm though longer coils can be made to meet specific requirements.

**All dimensions mm  
Drawing Not To Scale**

Design file	Dimension Drawing
Product file	CWTUM-S
Revision date	March 2024
Issue No.	01
Sheet No.	2 of 3
Notes	For Guidance ONLY



**Cable length** from our standard range is 1m.

Longer cables can be made to meet specific requirements.

For tolerance information on longer cables please contact PEM.

**All dimensions mm  
Drawing Not To Scale**

Design file	Dimension Drawing
Product file	CWTUM-S
Revision date	March 2024
Issue No.	01
Sheet No.	3 of 3
Notes	For Guidance ONLY

